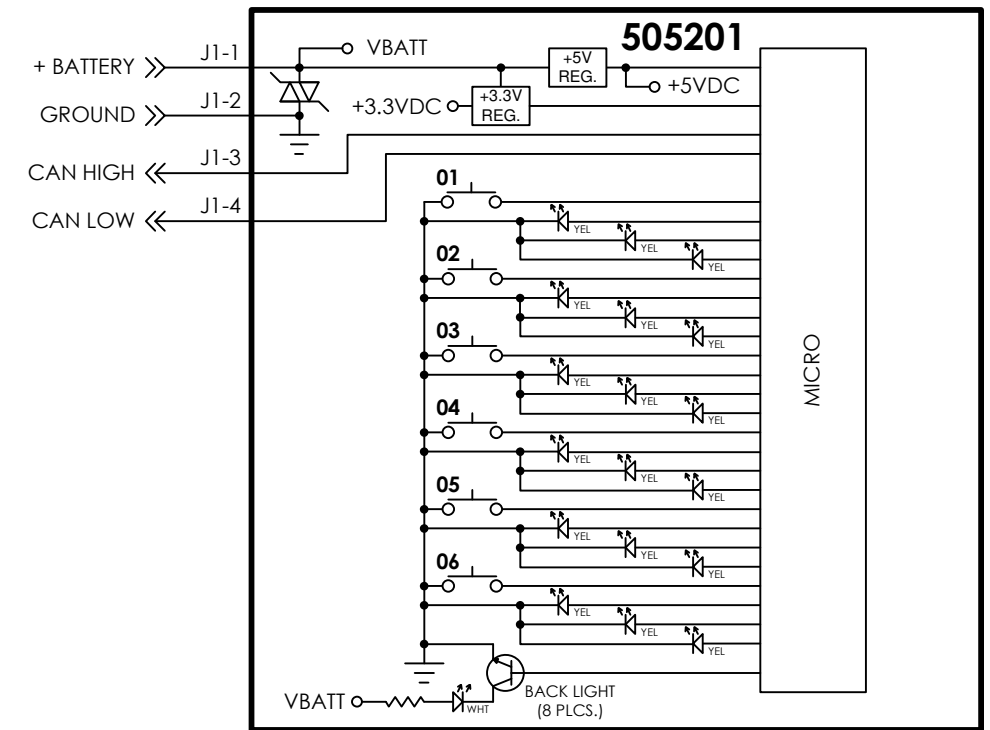
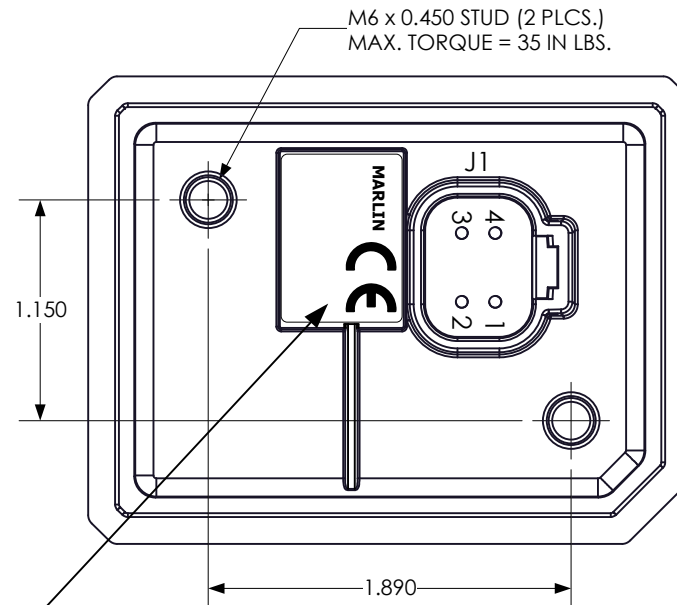
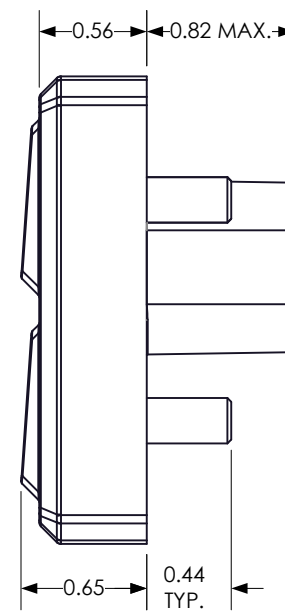
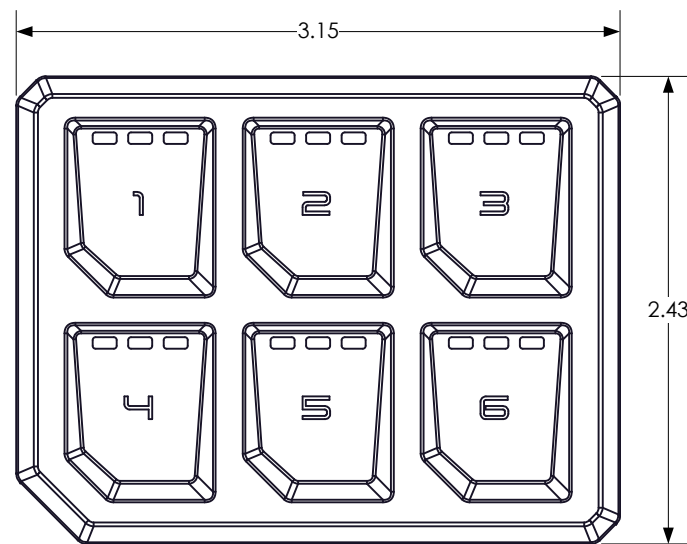
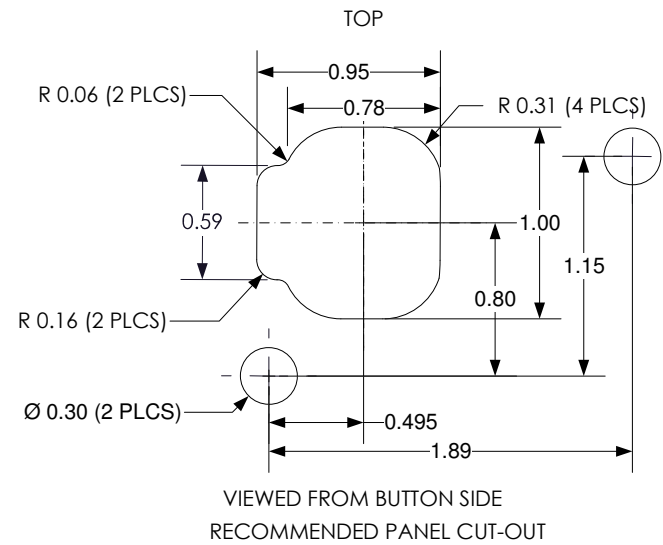
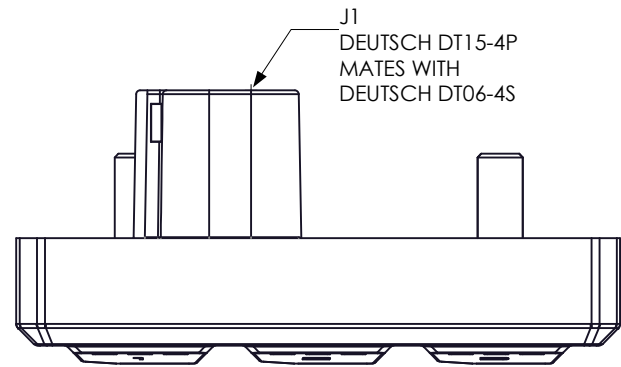


REVISIONS				
REV	DATE	ECN	DESCRIPTION	APVD
B	04/30/21	13702E	PRODUCTION LABEL REV B WAS REV A UPDATED RECOMMENDED PANEL CUT-OUT	SMJ
C	10/12/21	13853E	UPDATED PROD LBL WITH CE MARK	SMJ



- NOTES:
- OPERATING VOLTAGE: +9VDC TO +36VDC (+12VDC OR 24VDC NOMINAL).
  - REFERENCE CAN COMMUNICATION SPECIFICATION: 13167S-
  - HANDLING PRECAUTION: DO NOT FLEX OR TWIST ASSEMBLY.



PRODUCT LABEL  
REV=BOM REVISION  
LABEL DATE CODE:  
YY=YEAR OF MANUFACTURE  
WW=WEEK OF MANUFACTURE

THE INFORMATION CONTAINED ON THIS  
DRAWING IS PROPRIETARY AND CONFIDENTIAL  
TO MARLIN TECHNOLOGIES INC. UNAUTHORIZED  
USE OR DISTRIBUTION WITHOUT CONSENT IS  
PROHIBITED.

UNLESS OTHERWISE SPECIFIED, DIMENSIONS  
ARE IN INCHES AND TOLERANCES ARE

TWO PLACE DECIMAL	THREE PLACE DECIMAL	ANGLES
+/- 0.05	+/- 0.020	+/-

DO NOT SCALE DRAWING

CHECKED	S. JOHNSON	DATE	04/28/20
APPROVED	S. JOHNSON	DATE	06/10/20

MARLIN TECHNOLOGIES INC.

TITLE  
OUTLINE, 505201  
CONFIGURABLE 6 POS KYPD

SIZE	DRAWING NUMBER	TYPE	REV
B	013155	O	C
DRAWN M. SCHELL	DATE 04/21/20	SHEET	1 OF 1