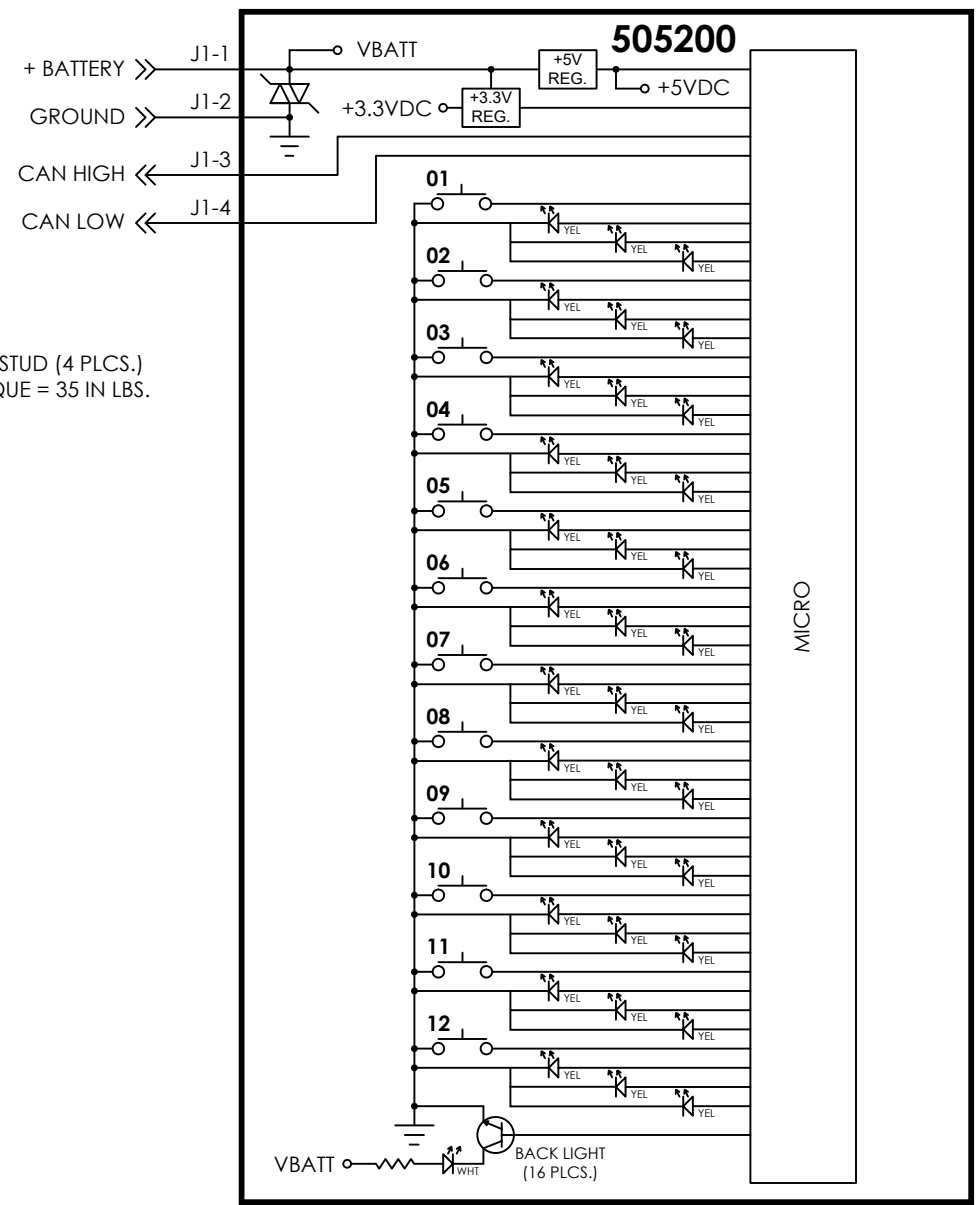
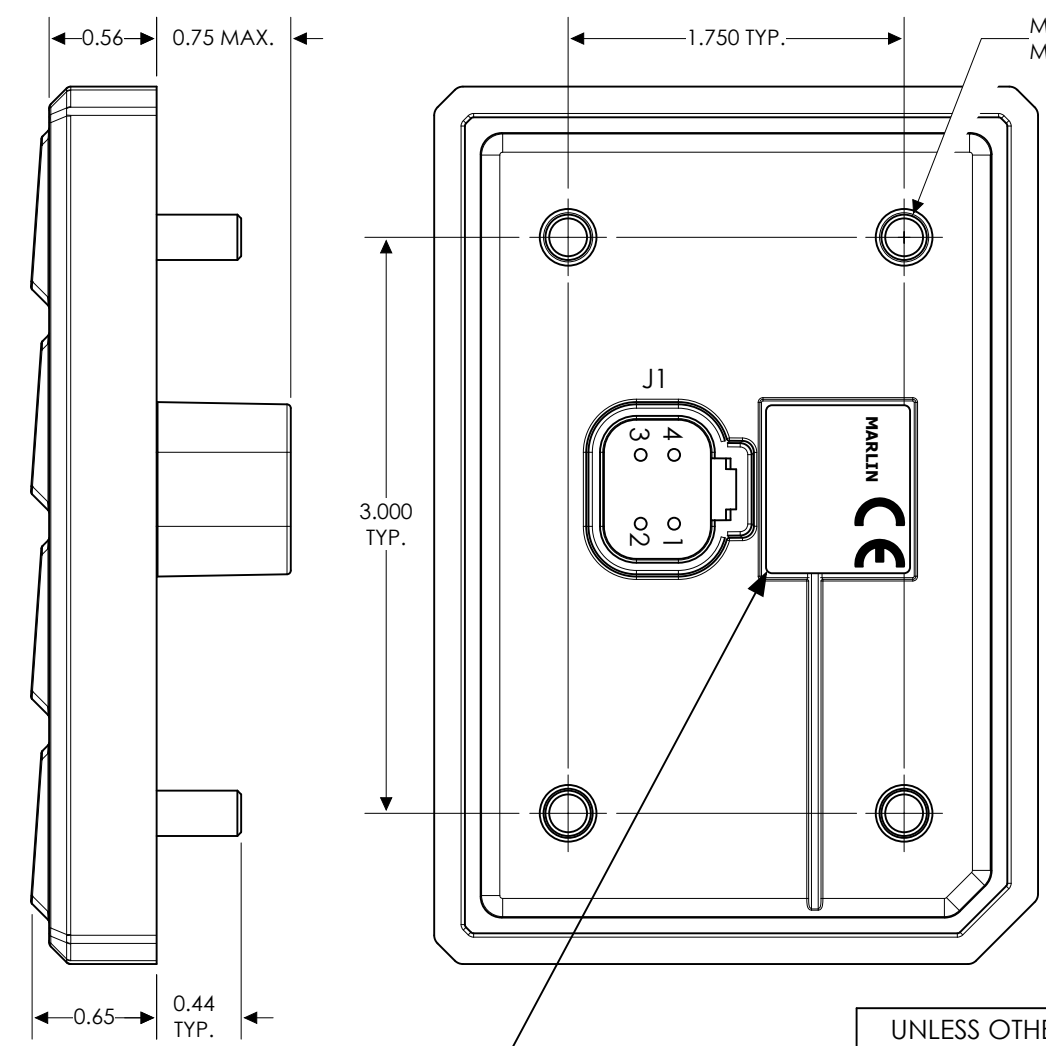
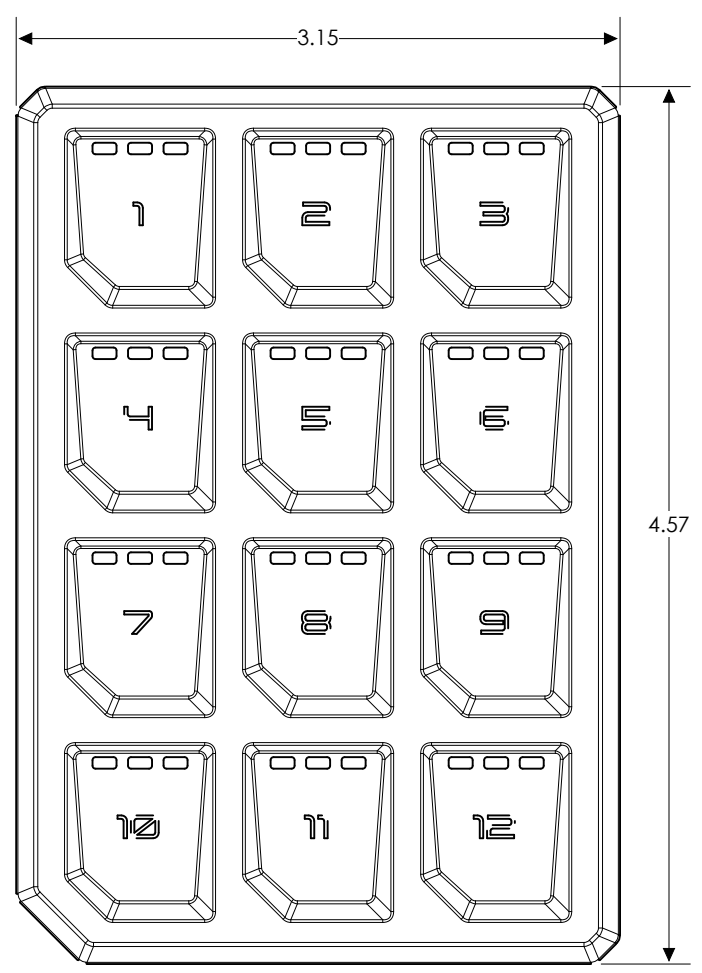
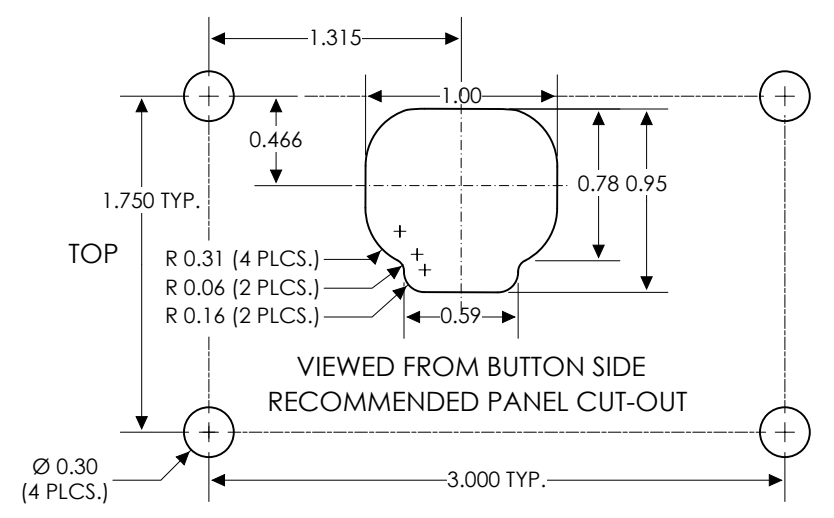
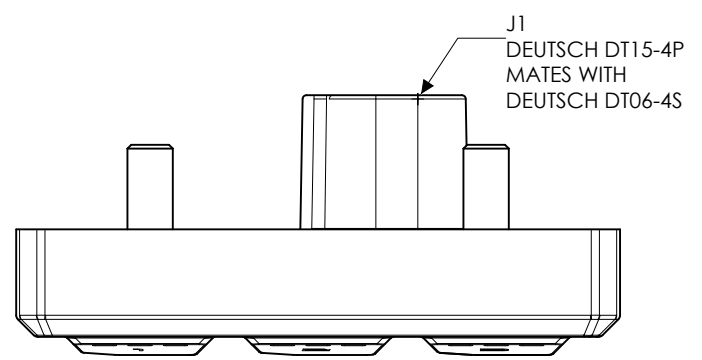


REVISIONS				
REV	DATE	ECN	DESCRIPTION	APVD
B	5/27/21	13716E	PRODUCT LABEL REV B WAS REV A UPDATED RECOMMENDED PANEL CUT-OUT	SMJ
C	10/12/21	13852E	UPDATED PROD LBL WITH CE MARK	SMJ



- NOTES:
1. OPERATING VOLTAGE: +9VDC TO +36VDC (+12VDC OR 24VDC NOMINAL).
2. REFERENCE CAN COMMUNICATION SPECIFICATION: 11713S-
3. HANDLING PRECAUTION: DO NOT FLEX OR TWIST ASSEMBLY.



PRODUCT LABEL
REV=BOM REVISION
LABEL DATE CODE:
YY=YEAR OF MANUFACTURE
WW=WEEK OF MANUFACTURE

THE INFORMATION CONTAINED ON THIS DRAWING IS PROPRIETARY AND CONFIDENTIAL TO MARLIN TECHNOLOGIES INC. UNAUTHORIZED USE OR DISTRIBUTION WITHOUT CONSENT IS PROHIBITED.

UNLESS OTHERWISE SPECIFIED, DIMENSIONS ARE IN INCHES AND TOLERANCES ARE

TWO PLACE DECIMAL	THREE PLACE DECIMAL	ANGLES
+/- 0.05	+/- 0.020	+/-

DO NOT SCALE DRAWING

CHECKED	S. JOHNSON	DATE	07/17/18
APPROVED	S. JOHNSON	DATE	07/31/18

MARLIN TECHNOLOGIES INC.			
TITLE OUTLINE, 505200 CONFIGURABLE 12 POS KYPD			
SIZE B	DRAWING NUMBER 011701	TYPE O	REV C
DRAWN G. ENGLEHART	DATE 01/26/16	SHEET 1 OF 1	