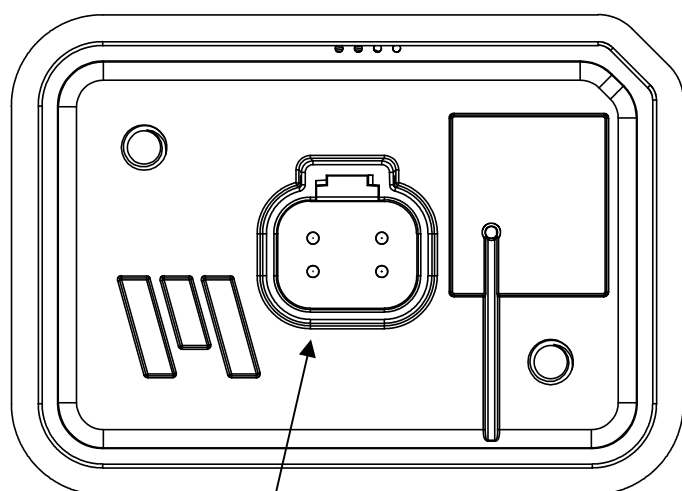
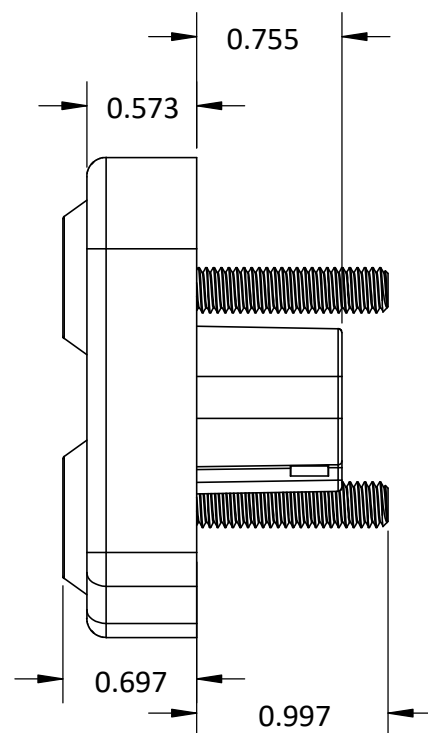
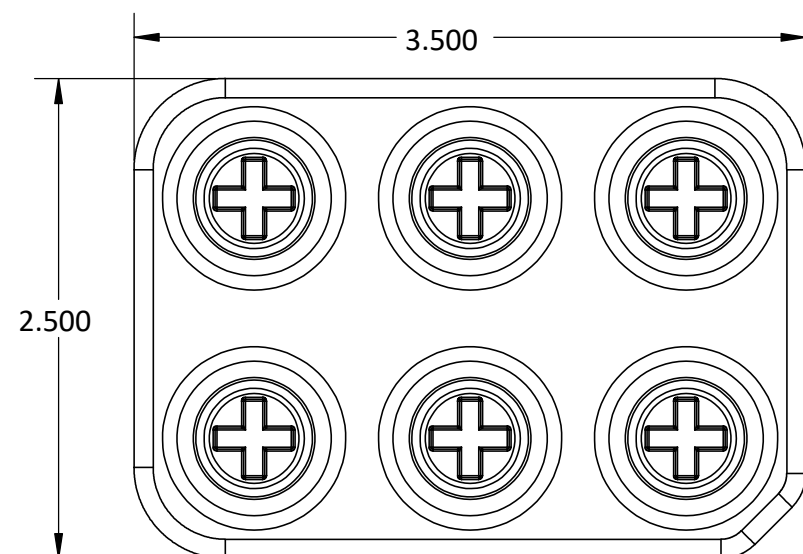
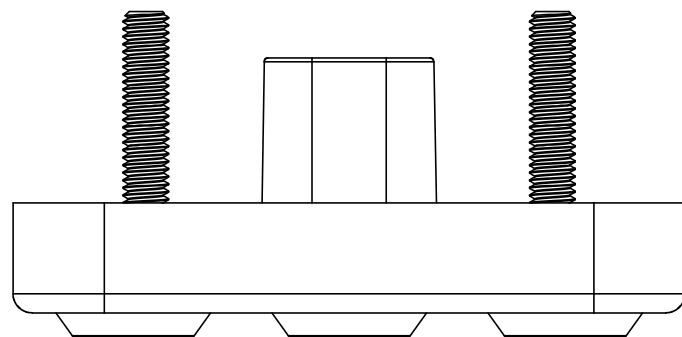
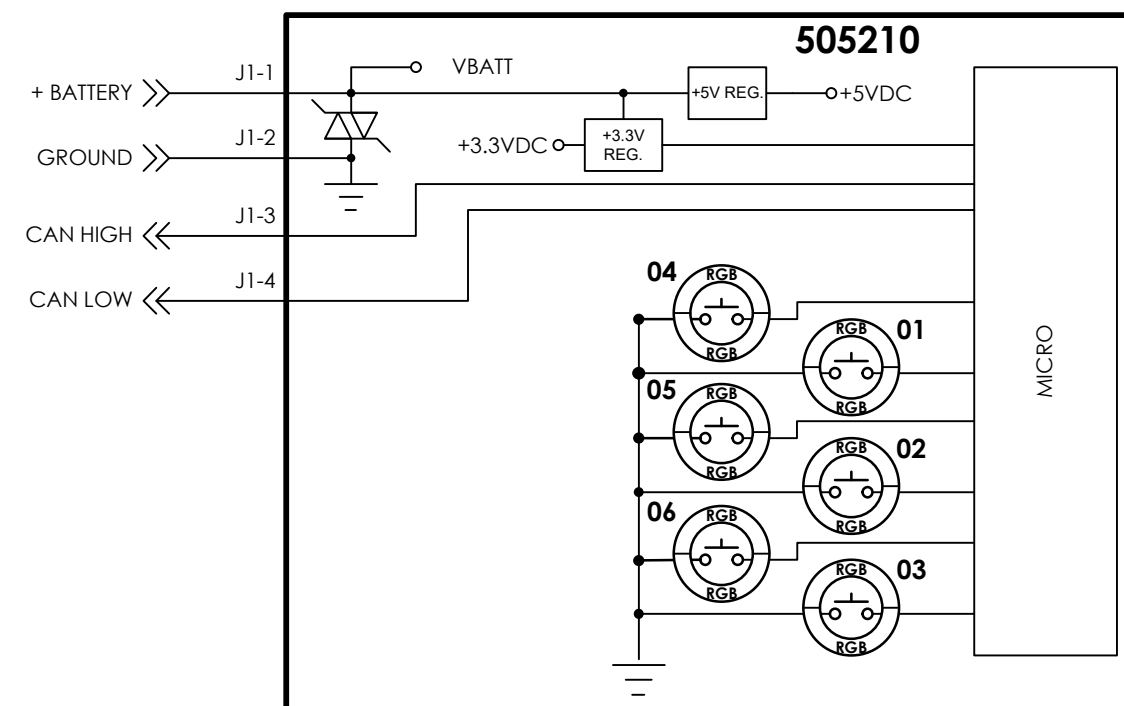


REVISIONS				
REV	DATE	ECN	DESCRIPTION	APVD
A	XX/XX/XX	XXXXXE	RELEASE TO PRODUCTION	-



J1  
DEUTSCH DT15-4P  
MATES WITH  
DEUTSCH DT06-4S

THE INFORMATION CONTAINED ON THIS  
DRAWING IS PROPRIETARY AND CONFIDENTIAL  
TO MARLIN TECHNOLOGIES INC. UNAUTHORIZED  
USE OR DISTRIBUTION WITHOUT CONSENT IS  
PROHIBITED.



- NOTES:
1. OPERATING VOLTAGE: +9VDC TO +36VDC (+12VDC OR 24VDC NOMINAL).
  2. REFERENCE CAN COMMUNICATION SPECIFICATION: 14413S-
  3. HANDLING PRECAUTION: DO NOT FLEX OR TWIST ASSEMBLY.

UNLESS OTHERWISE SPECIFIED, DIMENSIONS ARE IN INCHES AND TOLERANCES ARE			MARLIN TECHNOLOGIES INC.	
TWO PLACE DECIMAL +/-	THREE PLACE DECIMAL +/-	ANGLES +/-	TITLE OUTLINE, 505130 6PB KEYPAD	
DO NOT SCALE DRAWING			SIZE B	DRAWING NUMBER XXXXXX
CHECKED	DATE		TYPE O	REV X1
APPROVED	DATE		DRAWN N. HIDDE	8/14/2023
			SHEET 1 OF 1	