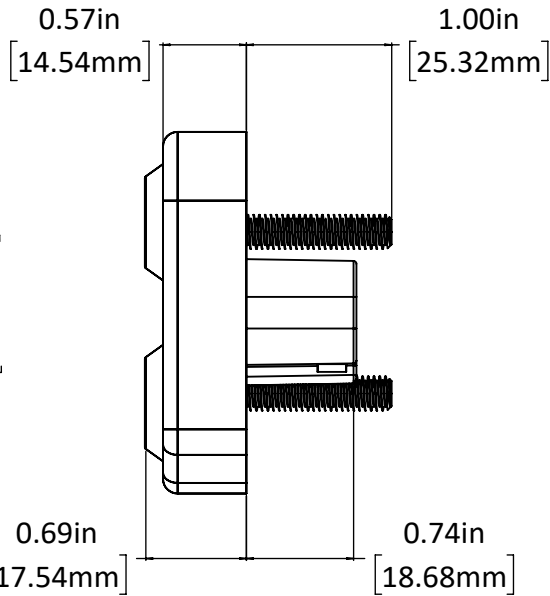
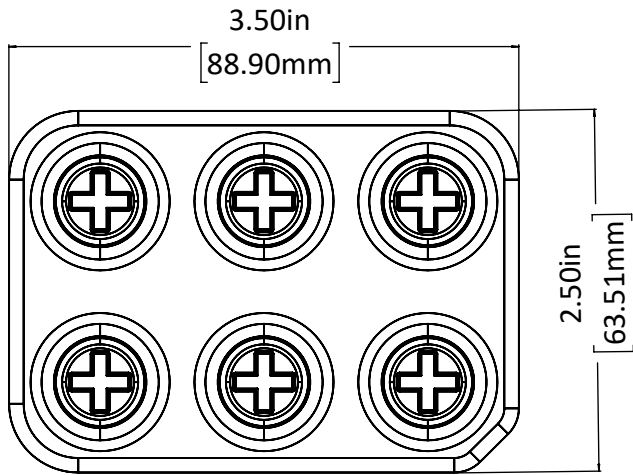
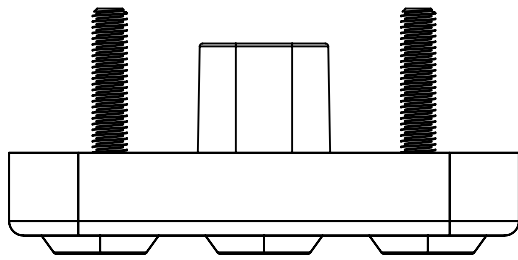
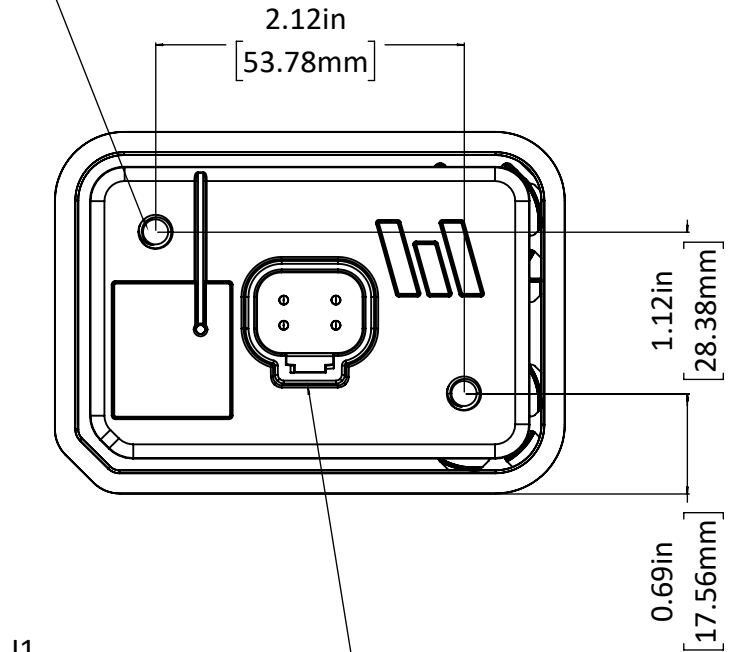


M-FLEX CAN KEYPAD DIMENTIONAL DRAWING

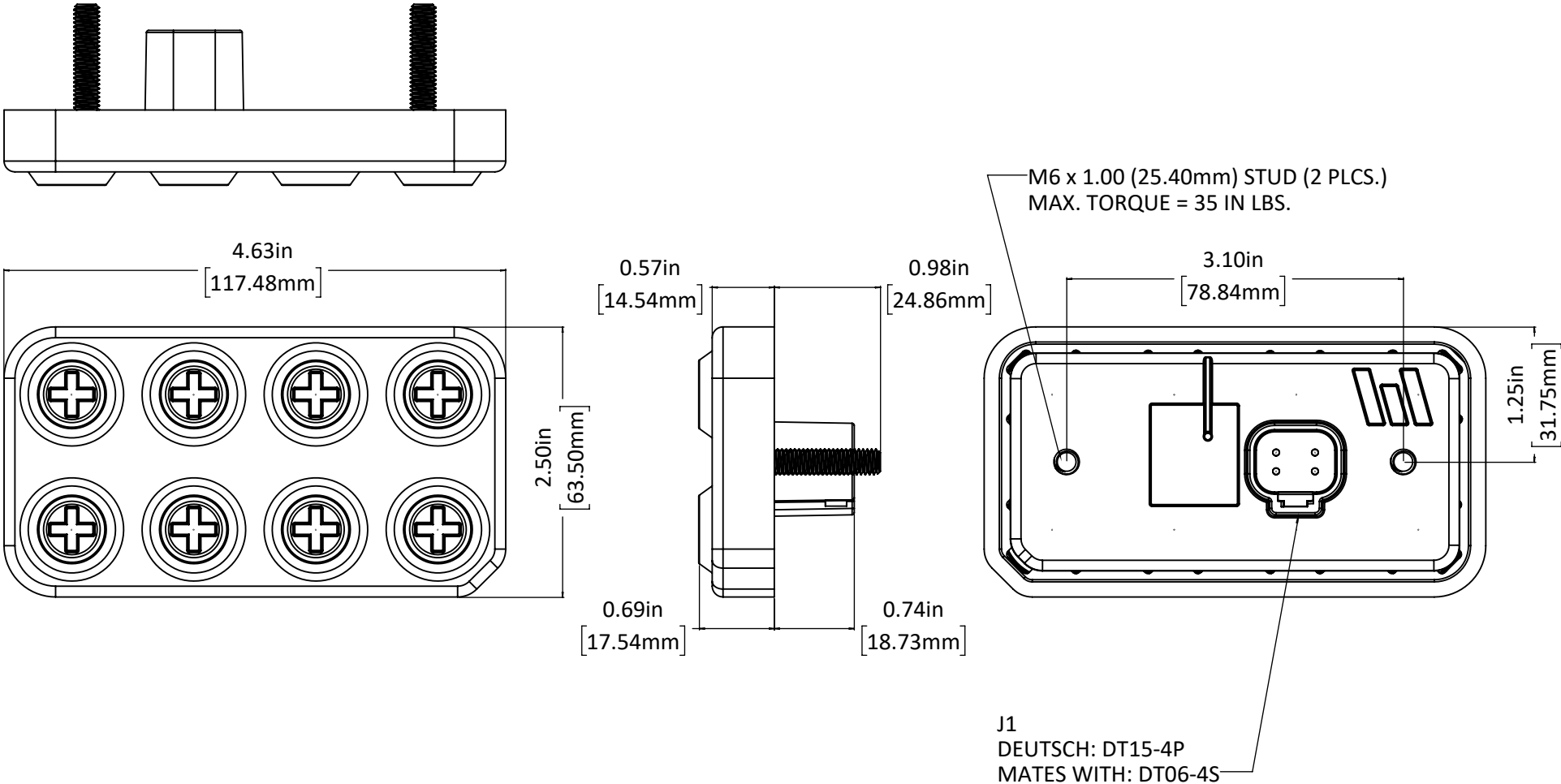


M6 x 1.00 (25.40mm) STUD (2 PLCS.)
MAX. TORQUE = 35 IN LBS.



J1
DEUTSCH: DT15-4P
MATES WITH: DT06-4S

M-FLEX CAN KEYPAD DIMENTIONAL DRAWING



M-FLEX CAN KEYPAD DIMENTIONAL DRAWING

