

4

3

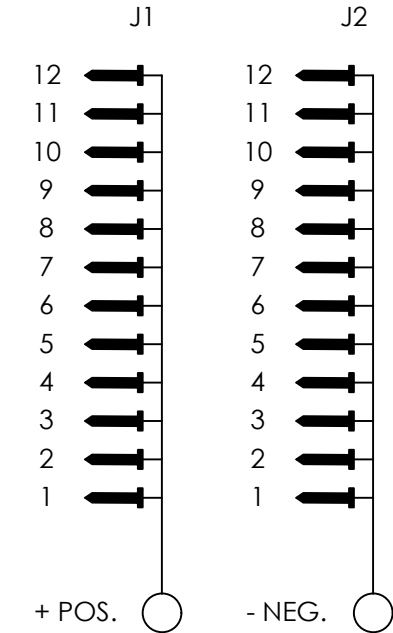
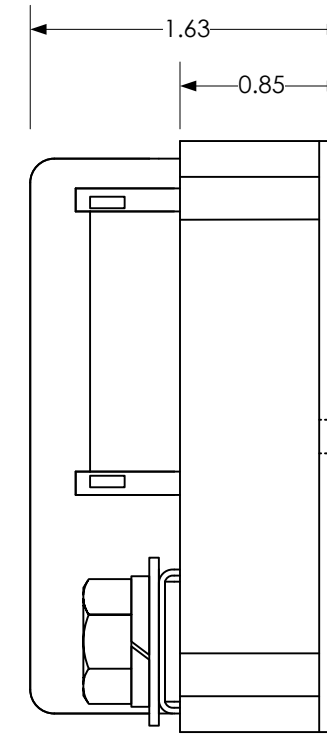
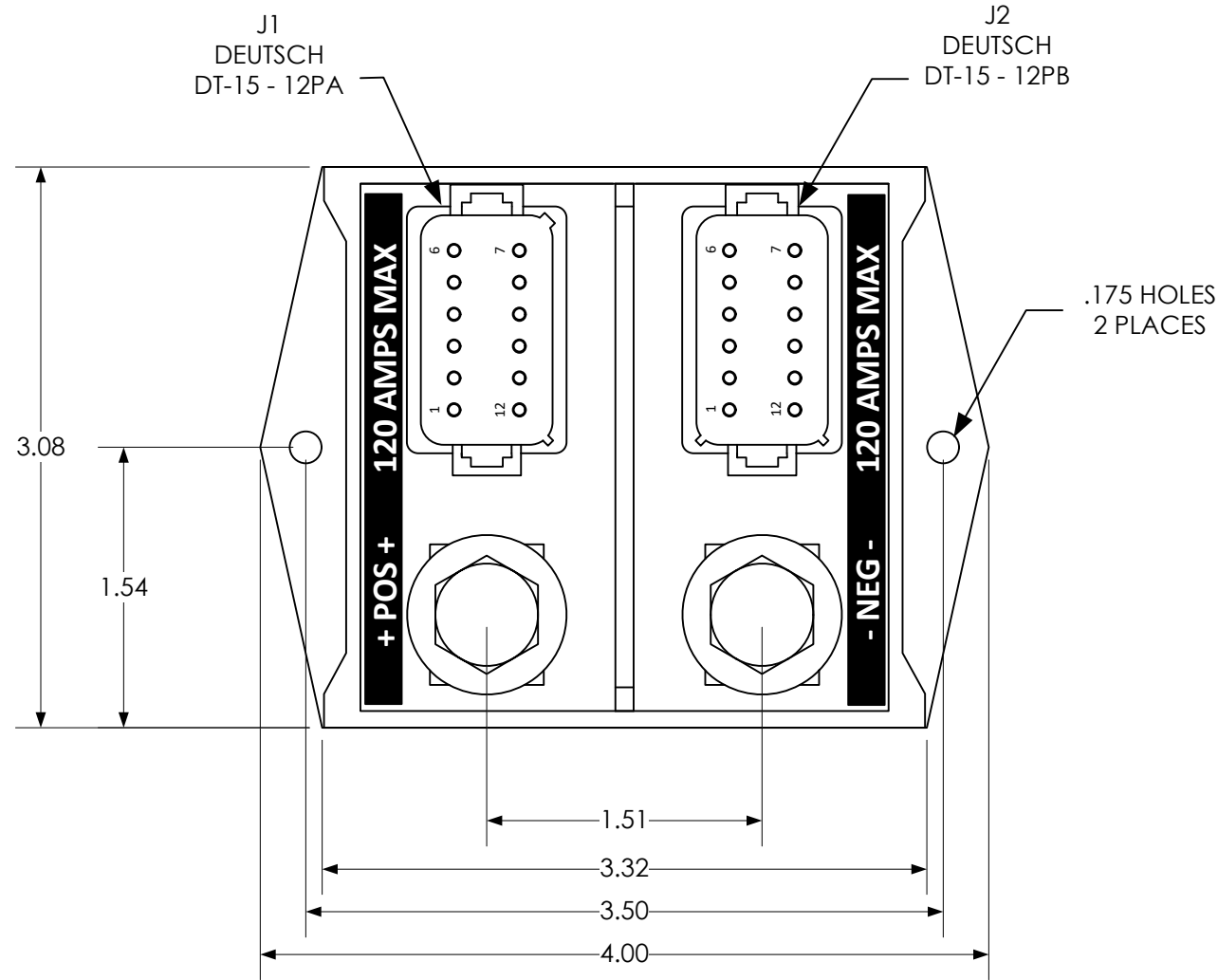
2

1

REVISIONS			
REV	DATE	ECN	DESCRIPTION
A	05-01-03	5264E	RELEASE TO PRODUCTION

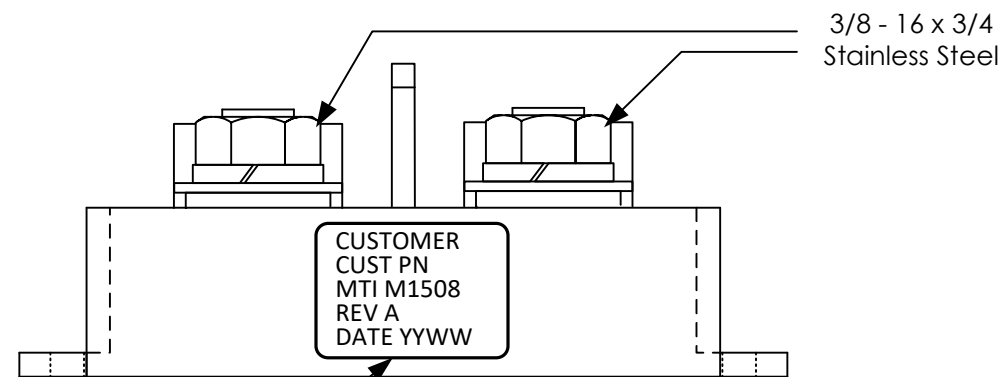
B

B



A

A



CUSTOMER
CUST PN
MTI M1508
REV A
DATE YYWW

REV= BOM REVISION
LABEL DATE CODE:
YY=YEAR OF MANUFACTURE
WW=WEEK OF MANUFACTURE

THE INFORMATION CONTAINED ON THIS
DRAWING IS PROPRIETARY AND CONFIDENTIAL TO
MARLIN TECHNOLOGIES INC. UNAUTHORIZED USE
OR DISTRIBUTION WITHOUT CONSENT IS
PROHIBITED.

UNLESS OTHERWISE SPECIFIED ALL DIMENSIONS ARE IN INCHES AND TOLERANCES ARE			MARLIN TECHNOLOGIES INC	
TWO PLACE DECIMAL +/- .05	THREE PLACE DECIMAL +/- .020	ANGLES +/-	TITLE OUTLINE, M1508 POWER BLOCK	
DO NOT SCALE DRAWING			SIZE B	DRAWING NUMBER 005266
CHECKED	DATE		TYPE O	REV AX1
APPROVED	DATE		DRAWN MEB	DATE 05/02/03
			SHEET 1 OF 1	

4

3

2

1