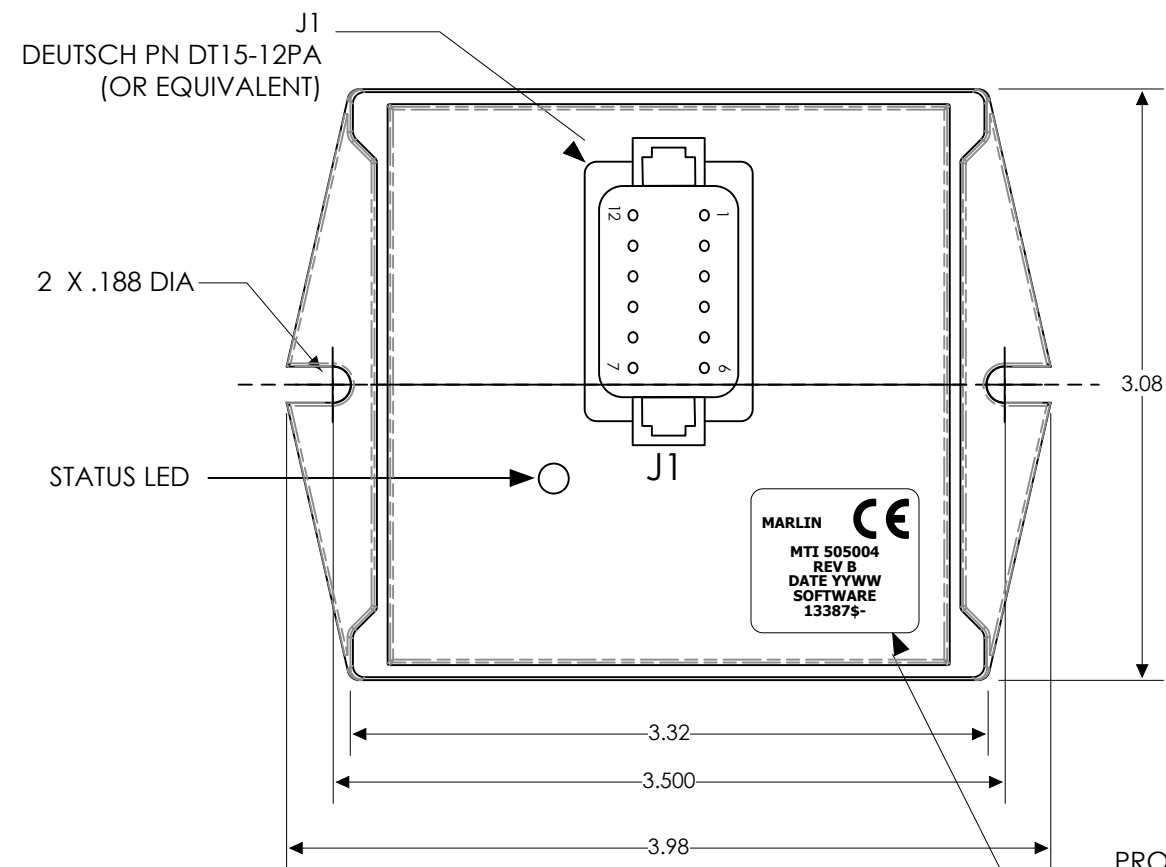
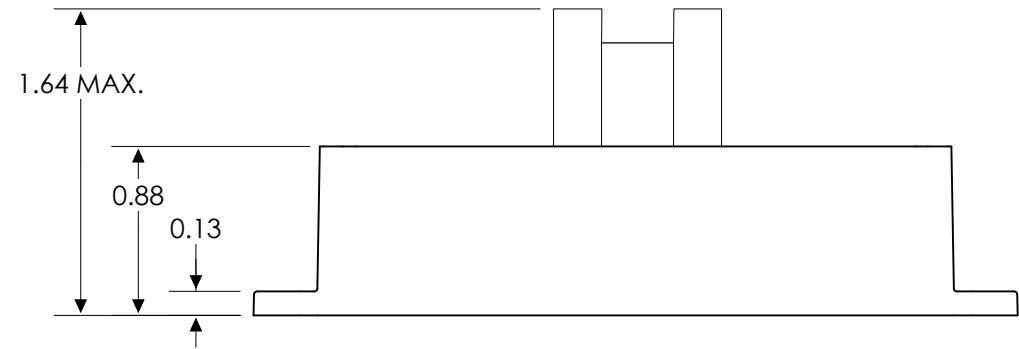
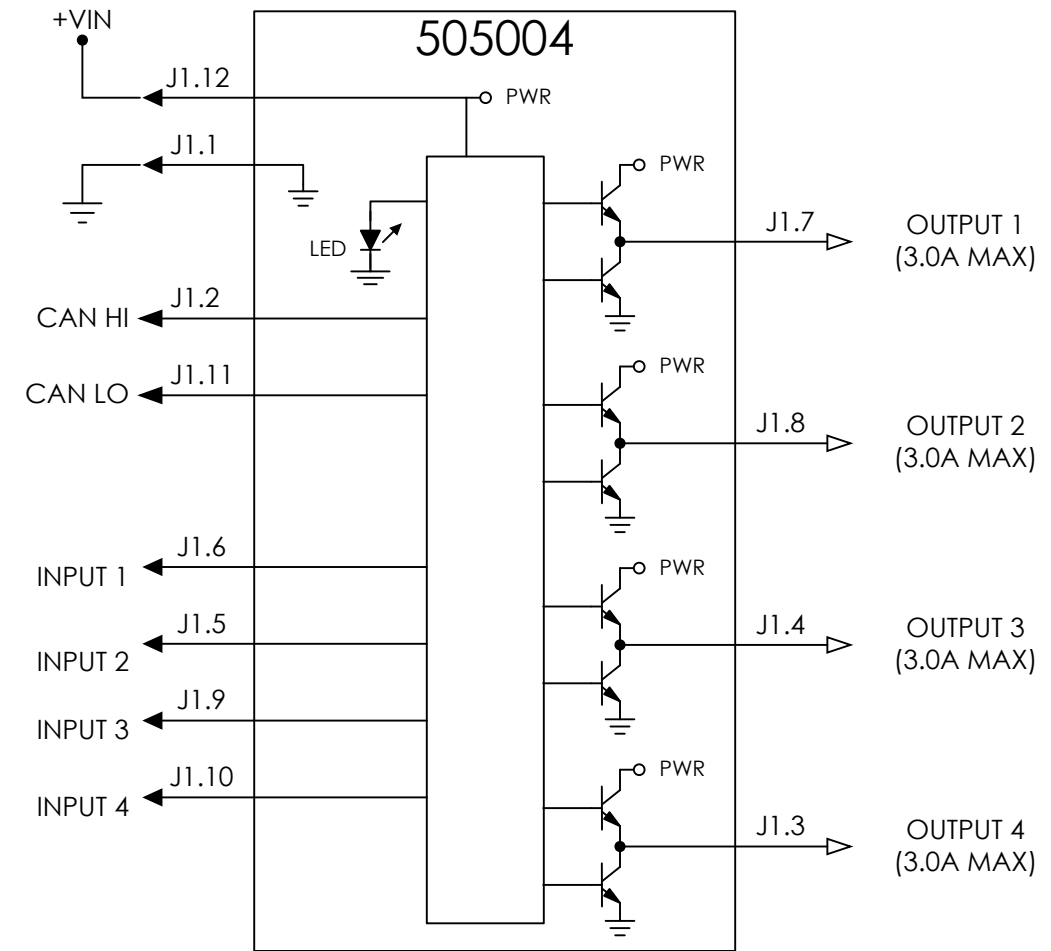


REVISIONS				
REV	DATE	ECN	DESCRIPTION	APVD
A	04/17/20	13379E	RELEASE TO PRODUCTION	SMJ
B	04/06/21	13677E	PRODUCT LABEL REV B WAS REV A, ADDED CE MARK	SMJ



PRODUCT LABEL
 REV=BOM REVISION
 LABEL DATE CODE:
 YY=YEAR OF MANUFACTURE
 WW=WEEK OF MANUFACTURE

THE INFORMATION CONTAINED ON THIS DRAWING IS PROPRIETARY AND CONFIDENTIAL TO MARLIN TECHNOLOGIES INC. UNAUTHORIZED USE OR DISTRIBUTION WITHOUT CONSENT IS PROHIBITED.



OPERATING VOLTAGE: +9VDC TO +36VDC (+12VDC OR 24VDC NOMINAL).
 REFERENCE FUNCTIONAL SPECIFICATION: 13388S_
 REFERENCE USER GUIDE: 13529U_
 CANBUS PROTOCOL: SAE J1939/ISO 11783, 250KBS/500KBS/1MBS
 505004 SOURCE ADDRESS: 0xB8 (DEFAULT)
 TERMINATION: NONE

UNLESS OTHERWISE SPECIFIED, DIMENSIONS ARE IN INCHES AND TOLERANCES ARE				MARLIN TECHNOLOGIES INC.				
TWO PLACE DECIMAL +/- .05	THREE PLACE DECIMAL +/- .020	ANGLES +/-						TITLE OUTLINE, 505004 MFLEX 4IN/4OUT CAN MODULE
DO NOT SCALE DRAWING				SIZE B	DRAWING NUMBER 013381		TYPE O	REV B
CHECKED S. JOHNSON	DATE 12/28/20		DRAWN M. SCHELL		DATE 10/15/20		SHEET 1 OF 1	
APPROVED S. JOHNSON	DATE 01/08/21		DATE 10/15/20					