

# M-FLEX ISOLATED CAN BRIDGE

M-Flex Isolated CAN Bridge is a two-channel CAN bus bridge for interconnecting two CAN bus networks with power isolation, and is built to withstand the harsh temperatures, shock and vibration, moisture and electrical transients that are common to these environments.



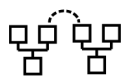

**IP67**  
**IP69**

**12V**  
**24V**

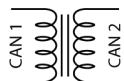
**RoHS**  
compliant



## FEATURES



Two CAN bus channels for bridging between two networks.



Galvanic isolation between the two CAN networks.



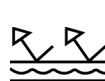
Designed for severe duty outdoor applications.



Forty filters per channel to pass or block messages.



250/500/1000 kbps CAN bus speeds.



Fully encapsulated electronics for complete environmental protection.



Deutsch DT style connectors.



User programmable software tool provided by Marlin.



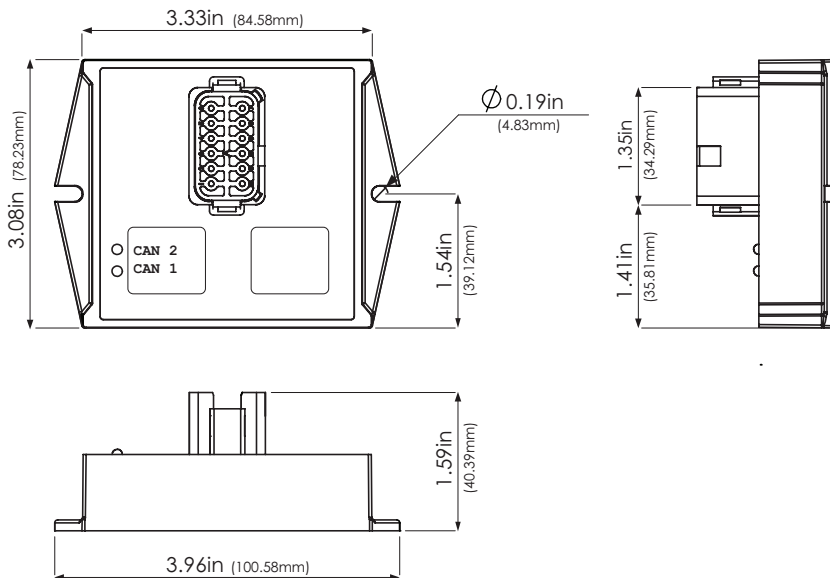
Two diagnostic LEDs for CAN bus power and communication status.

## SPECIFICATIONS

Specifications subject to change without notice. \ Revised 01.24

<b>Supply Voltage</b>	8-36VDC operating range, reverse polarity protected.
<b>Baud Rate</b>	250/500/1000 kbps.
<b>CAN Protocol</b>	SAE J1939 CAN 2.0A and 2.0B compliant.
<b>CAN Channels</b>	2 Channel bridge for connecting 2 CAN bus networks.
<b>Connectors</b>	Deutsch DT15-12PA.
<b>Mounting</b>	(2) M6 or ¼" screws (6.35mm screws).
<b>Ingress Protection</b>	IP67 rated and IP69K with appropriate boot).
<b>Operating Temperature</b>	-40° to 85°C (-40° to 185°F).
<b>Storage Temperature</b>	-40° to 85°C (-40° to 185°F).
<b>Weight</b>	5.5 oz.
<b>Packaging</b>	Noryl enclosure with mounting tabs, fully encapsulated.

## DIMENSIONS



For a detailed specification visit  
[marlintech.com/m-flex](http://marlintech.com/m-flex)

Marlin Technologies, Inc.  
 101 Industrial Drive \ P.O. Box 123  
 Horicon, WI 53032-1803  
 920.485.4463 \ P  
 920.485.2899 \ F

**MARLINTECH.COM**  
 MADE IN THE USA WITH  
 IMPORTED MATERIALS