

# M-FLEX MFD GATEWAY

The M-Flex MFD Gateway bridges J1939 and NMEA 2000 networks, connecting Marlin's digital switcher to your multifunction display. This bridge allows control of your boat's navigation and anchor lights, spreader lights, bilge pumps, RGB lights, flood lights, livewell and baitwell pumps, etc., from the MFD or from Marlin's keypads.



## FEATURES



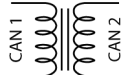
Compatible with Garmin and Simrad MFDs.



Designed for severe duty outdoor applications.



Gateway between J1939 CAN Bus and NMEA 2000.



Galvanic isolation between the two CAN networks.



Channels configurable for 250/500/1000 Kbps.



Two diagnostic LEDs for CAN bus power and communication status.



Deutsch DT-style connectors.



Fully encapsulated electronics for complete environmental protection.



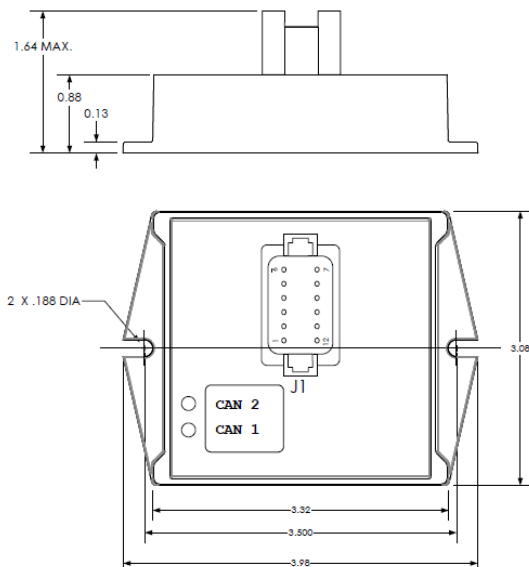
User configurable software tool provided by Marlin.

## SPECIFICATIONS

Specifications subject to change without notice. \ Revised 01.24

<b>Supply Voltage</b>	8-36 VDC operating range, reverse polarity protected.
<b>Baud Rate</b>	250/500/1000 Kbps.
<b>CAN Protocol</b>	J1939 CAN bridge to NMEA 2000.
<b>CAN Channels</b>	Two-channel bridge for connecting two CAN bus networks.
<b>Connectors</b>	Deutsch DT15-12PA.
<b>Mounting</b>	Two M6 or ¼" screws (6.35 mm screws).
<b>Ingress Protection</b>	IP67 rated and IP69K (with appropriate boot).
<b>Operating Temperature</b>	-40° to 85°C (-40° to 185°F).
<b>Storage Temperature</b>	-40° to 85°C (-40° to 185°F).
<b>Weight</b>	5.5 oz.
<b>Enclosure</b>	Noryl enclosure with mounting tabs, fully encapsulated.

## DIMENSIONS



For a detailed specification visit  
[marlintech.com/m-flex](http://marlintech.com/m-flex)

Marlin Technologies, Inc.  
 101 Industrial Drive \ P.O. Box 123  
 Horicon, WI 53032-1803  
 920.485.4463 \ P  
 920.485.2899 \ F

**MARLINTECH.COM**  
 MADE IN THE USA WITH  
 IMPORTED MATERIALS