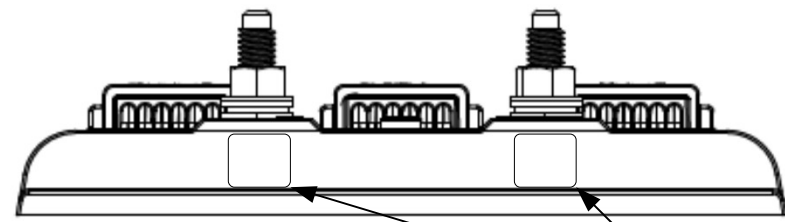


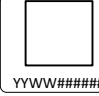
REVISIONS				
REV	DATE	ECN	DESCRIPTION	APVD
A	10/10/23	17531E	RELEASE TO PRODUCTION	JC

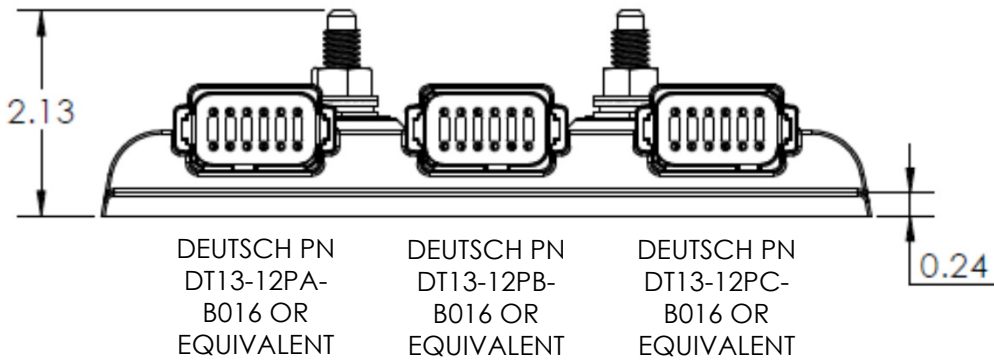
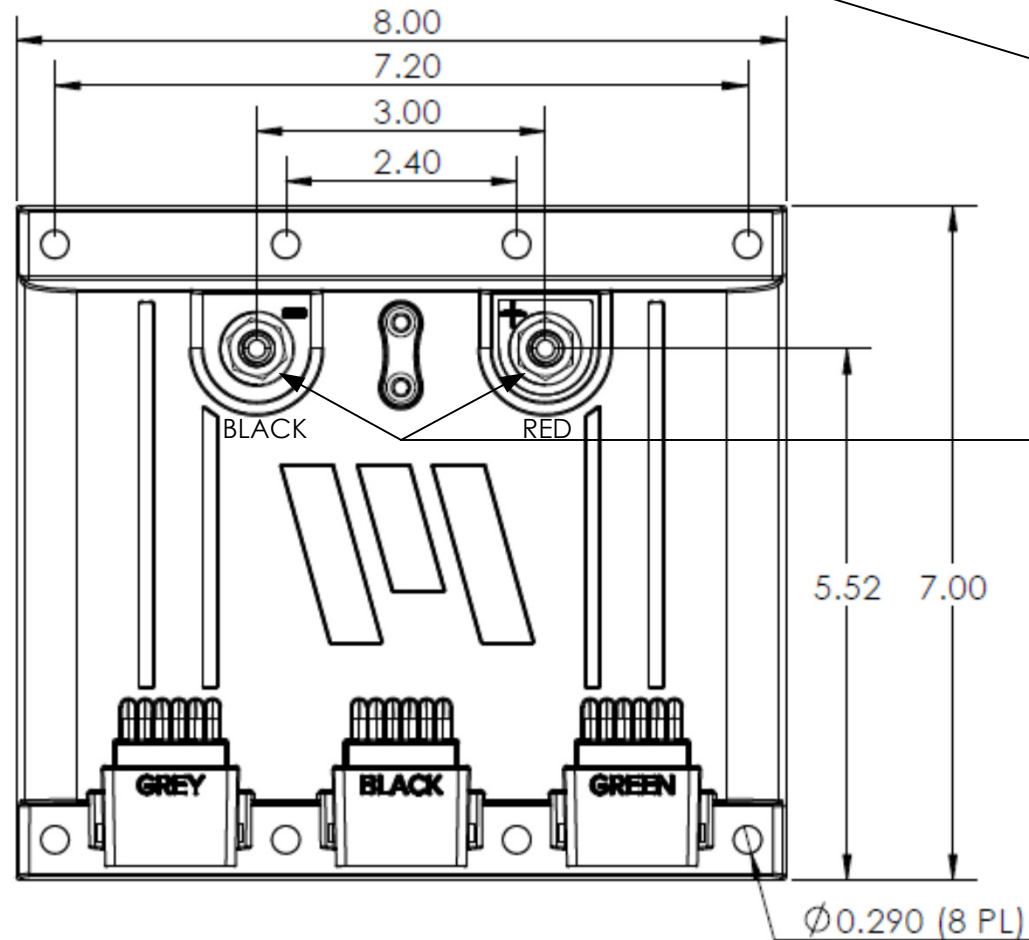


PLACE LABELS ON THE SIDE OF BOX

**MARLIN
MTI 505060
REV A
DATE YYWW
SOFTWARE
17541S-
17535S-**

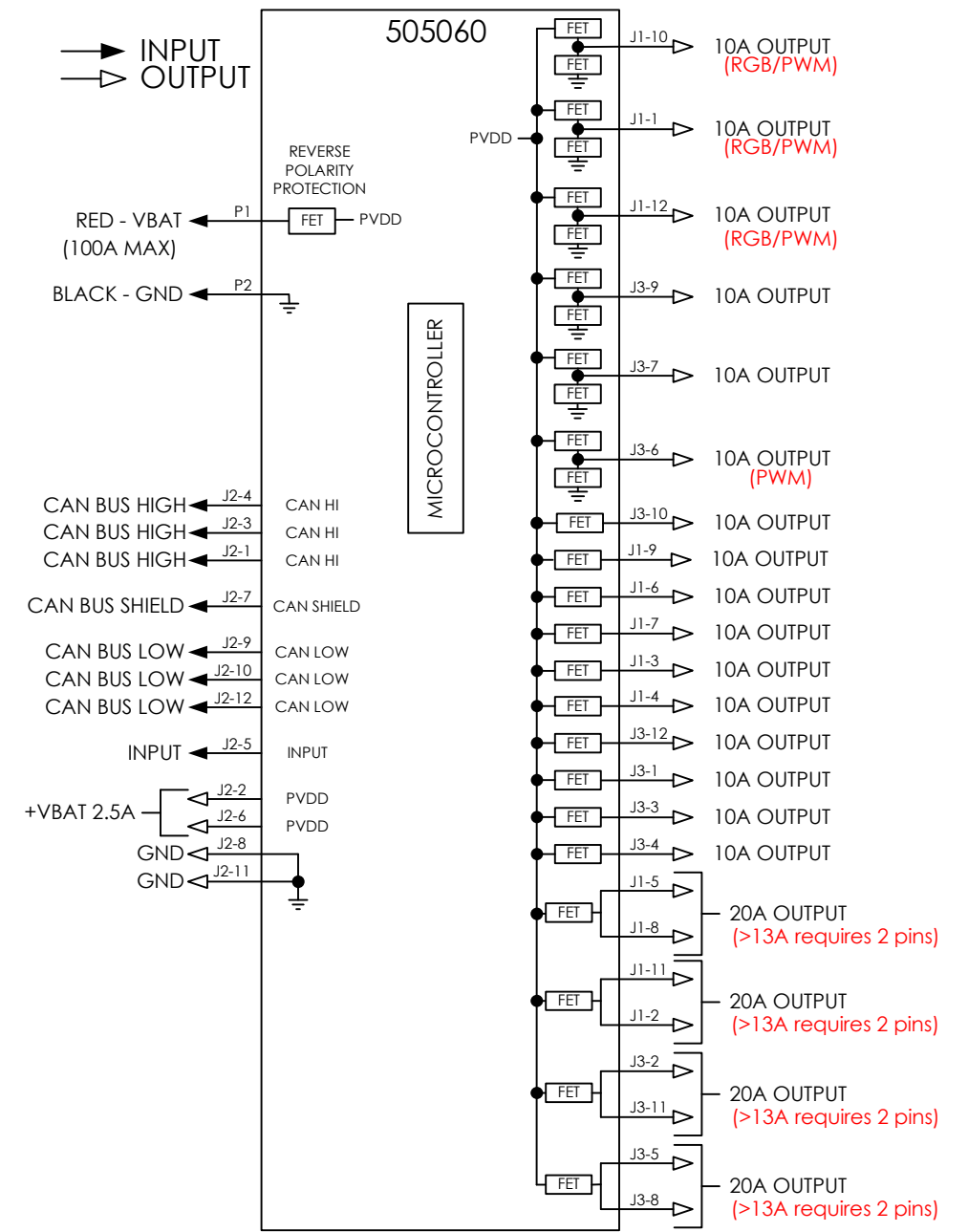
PRODUCT LABEL:
REV=BOM REVISION
LABEL DATE CODE:
YY=YEAR OF MANUFACTURE
WW=WEEK OF MANUFACTURE

BARCODE LABEL:
2D BAR CODE →  FONT:
TAHOMA
SIZE: 8pt.
FORMAT
YYWW = DATECODE
= SEQUENTIAL SERIAL NUMBER



OPERATING VOLTAGE:
+9VDC TO +32VDC
(+12VDC NOMINAL)

OUTPUTS ARE 10A & 20A
MAX.
TOTAL MODULE CURRENT
100A MAX.



UNLESS OTHERWISE SPECIFIED, DIMENSIONS
ARE IN INCHES AND TOLERANCES ARE

TWO PLACE DECIMAL +/- .05	THREE PLACE DECIMAL +/- .020	ANGLES +/-
---------------------------------	------------------------------------	---------------

MARLIN TECHNOLOGIES INC.

TITLE **OUTLINE, 505060**
DIGITAL SWITCHER 1IN/20OUT

DO NOT SCALE DRAWING

CHECKED J. COOPER	DATE: 04/08/24
APPROVED J. COOPER	DATE: 04/10/24

SIZE B	DRAWING NUMBER 017538	TYPE O	REV A
DRAWN M. PETZKE	DATE 10/16/23	SHEET 1 OF 1	

THE INFORMATION CONTAINED ON THIS
DRAWING IS PROPRIETARY AND CONFIDENTIAL
TO MARLIN TECHNOLOGIES INC. UNAUTHORIZED
USE OR DISTRIBUTION WITHOUT CONSENT IS
PROHIBITED.