

M-FLEX DIGITAL SWITCHER M20-01

M-Flex Digital Switcher M20-01 CAN I/O Controller is designed to withstand the harsh temperatures, shock and vibration, moisture and electrical transients that are common to the harsh environments.



M-Flex
CONTROLLERS

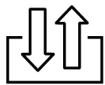
IP67

12V
24V

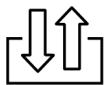
RoHS
compliant



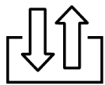
FEATURES



Configurable inputs and outputs for customizing Digital Switcher to each application.



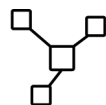
(16) x 10A Outputs have circuit current monitoring. (4) Outputs with PWM.



(4) x 20A Outputs have circuit current monitoring.



Fully encapsulated electronics for complete environmental protection.



Compatible with M-Flex Keypads and Displays, and Simrad and Garmin Displays.



Fully configurable XML to customize switch functions for each boat model.



Programming options:

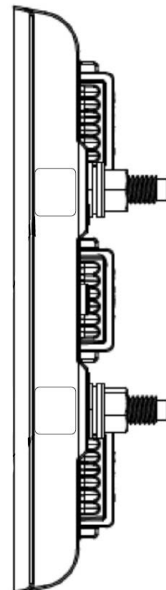
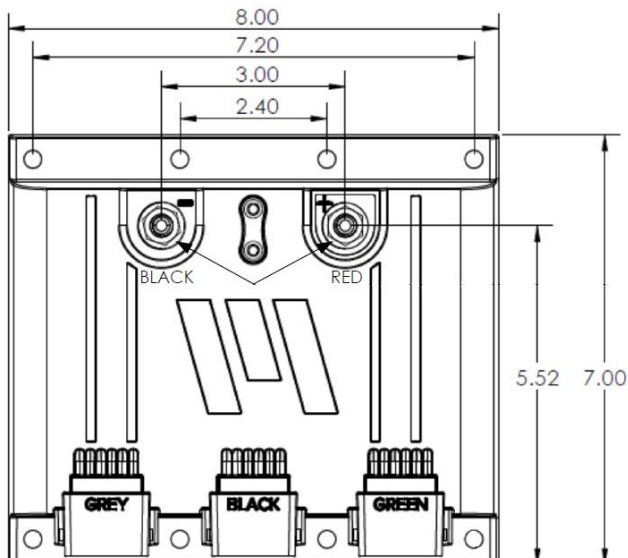
- User-configurable functions.
- Custom application software.

SPECIFICATIONS

Specifications subject to change without notice. \ Revised 02.24

Supply Voltage	9 – 32VDC.
Max Current	100A.
CAN Protocol	SAE J1939 CAN 2.0A and 2.0B, CANopen, NMEA 2000.
Baud Rate	250, 500, 1000Kbps.
Inputs	(1) Analog input 0-32V, 4-20mA, Resistive.
Outputs	(4) x 20A(High side); (16) x 10A(High side) [(4) PWM/dimmable outputs].
Connectors	Deutsch DT15-12PA, DT15-12PB, DT15-12PC and (2) insulated 3/8"-16 power studs.
Mounting	M6 or 1/4" screws and nuts.
Operating Temperature	-40° to 85°C (-40° to 185°F).
Storage Temperature	-40° to 85°C (-40° to 185°F).
Weight	3.75 lbs (1700 g).
Enclosure	7.7 in L x 7.75 in W x 2.0 in H (196 mm L x 195 mm B x 51 mm H) Noryl.
Circuit Protection	Reverse Polarity, Overvoltage, Transient Voltage, Battery Dump, Open Load.

DIMENSIONS



For a detailed specification visit
marlintech.com/m-flex

Marlin Technologies, Inc.
 101 Industrial Drive \ P.O. Box 123
 Horicon, WI 53032-1803
 920.485.4463 \ P
 920.485.2899 \ F

MARLINTECH.COM
 MADE IN THE USA WITH
 IMPORTED MATERIALS