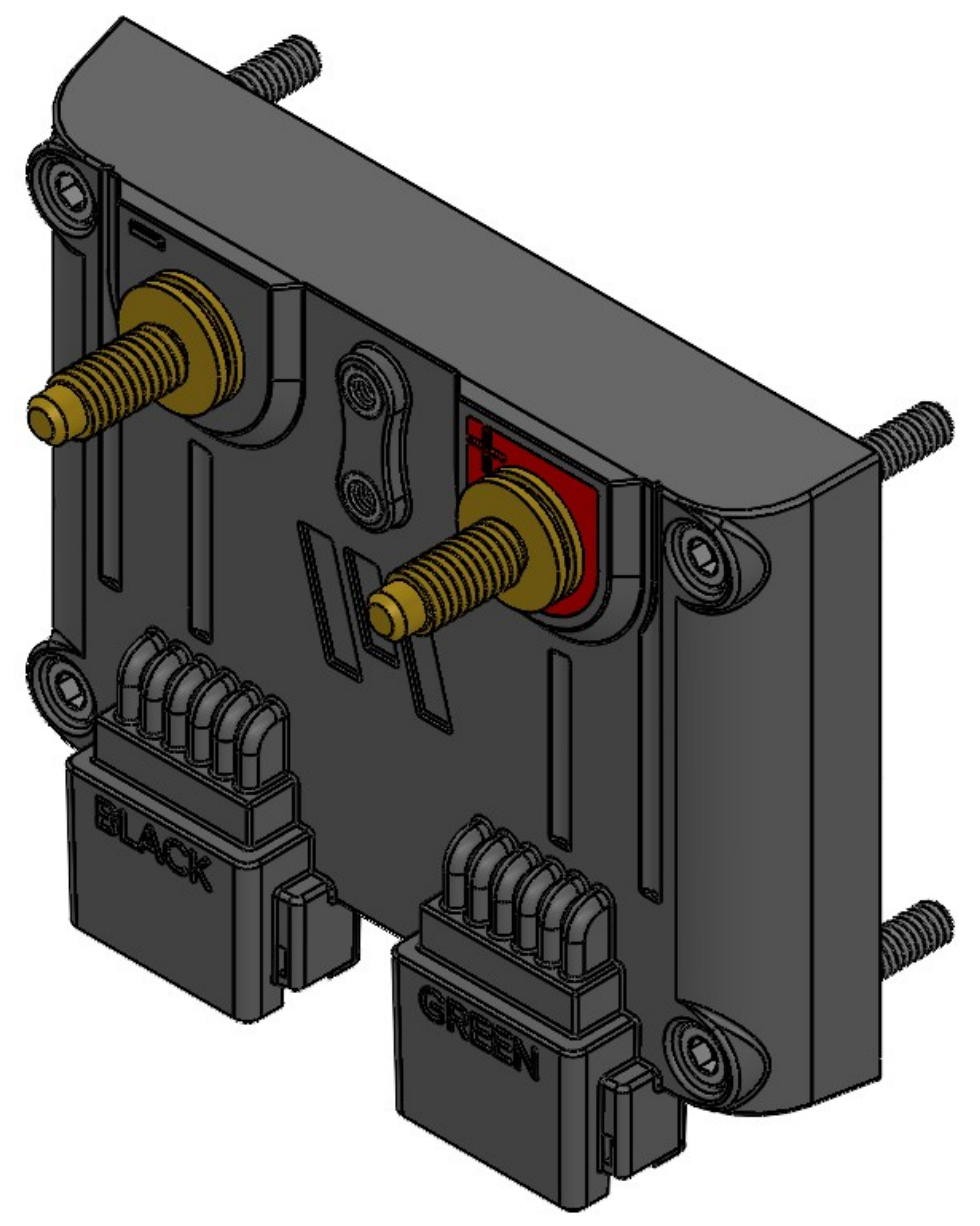
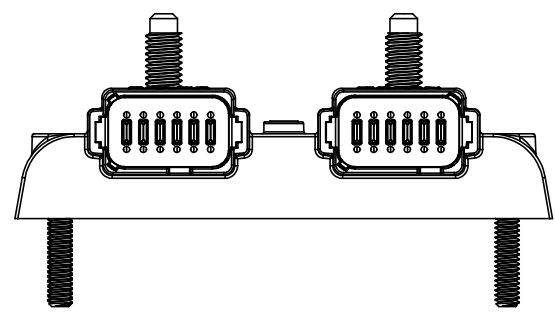
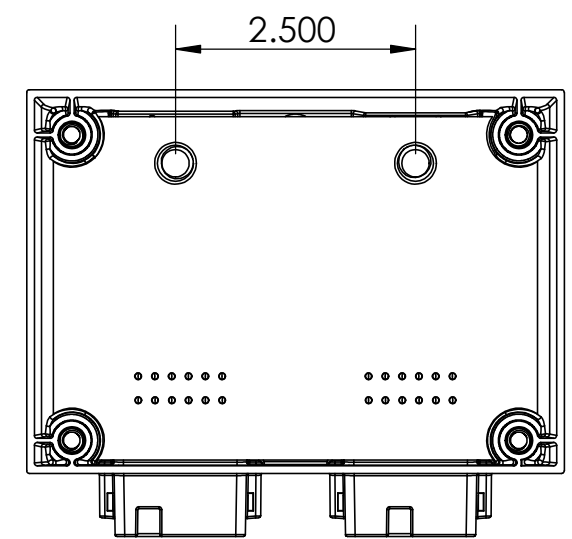
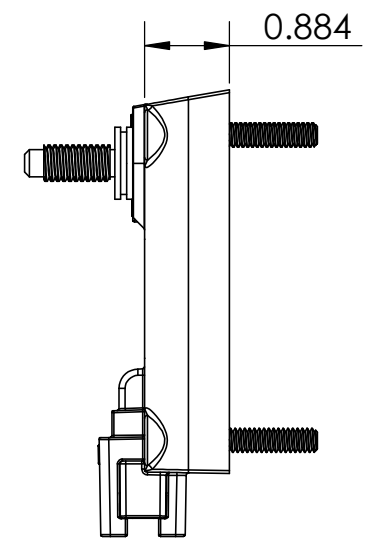
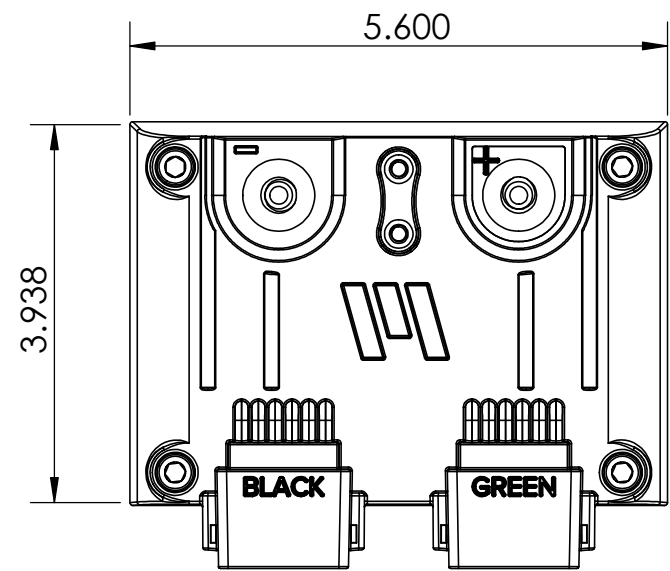
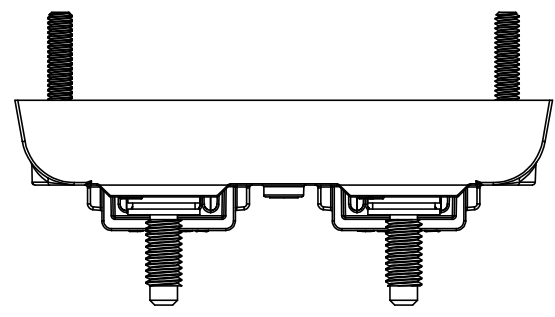


REVISIONS				
REV	DATE	ECN	DESCRIPTION	APVD



UNLESS OTHERWISE SPECIFIED, DIMENSIONS ARE IN INCHES AND TOLERANCES ARE			MARLIN TECHNOLOGIES INC. TITLE MICRO DIGITAL SWITCHER	
TWO PLACE DECIMAL	THREE PLACE DECIMAL	ANGLES		
+/- 0.01	+/- 0.005	+/- 0.5°	SIZE B	DRAWING NUMBER
DO NOT SCALE DRAWING			TYPE	REV
CHECKED	DATE	DRAWN	DATE	SHEET 1 OF 1
APPROVED	DATE			

THE INFORMATION CONTAINED ON THIS DRAWING IS PROPRIETARY AND CONFIDENTIAL TO MARLIN TECHNOLOGIES INC. UNAUTHORIZED USE OR DISTRIBUTION WITHOUT CONSENT IS PROHIBITED.