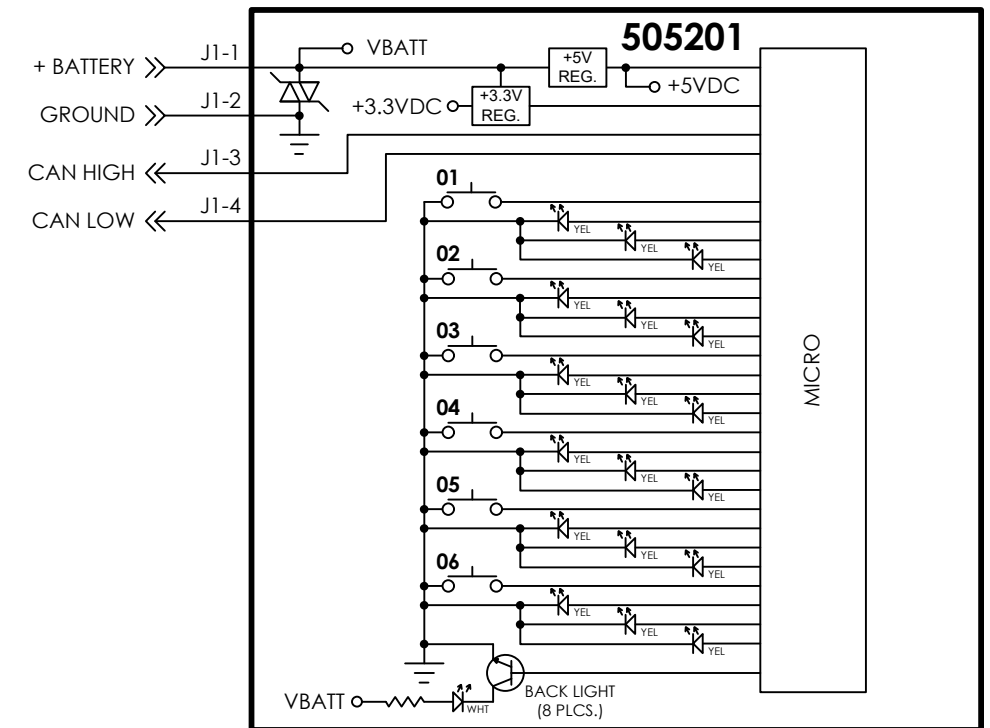
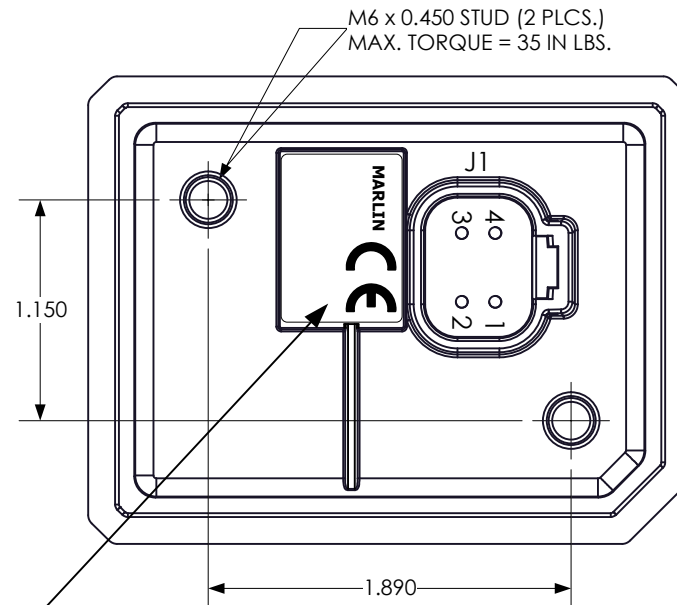
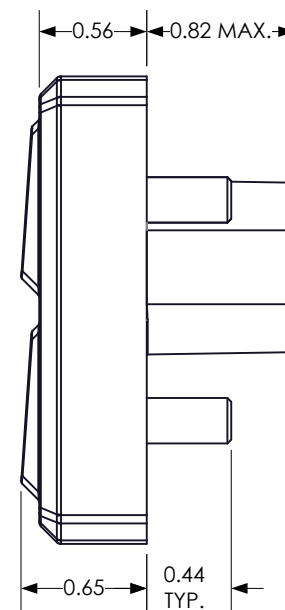
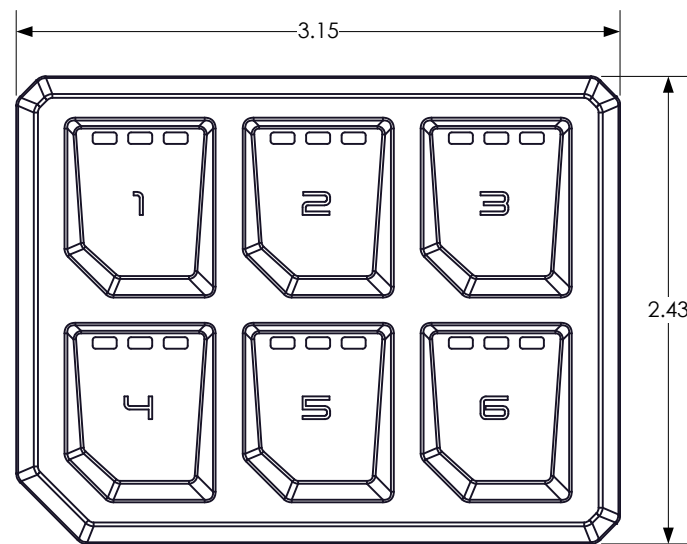
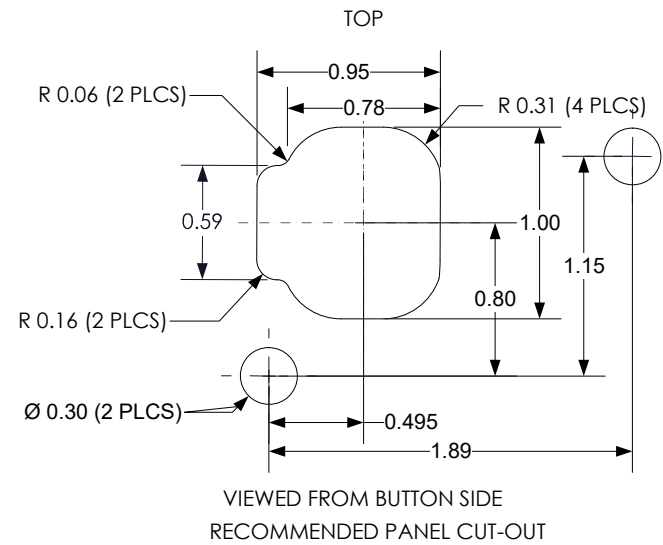
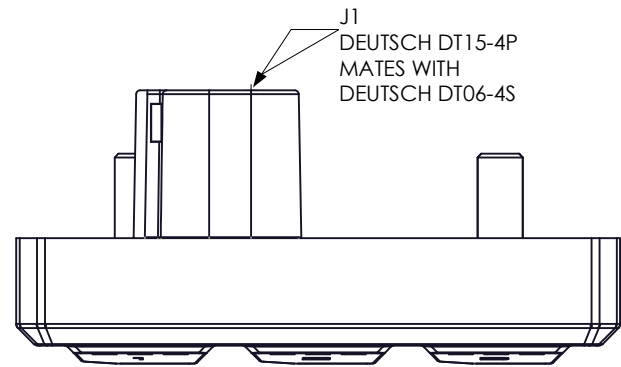


REVISIONS				
REV	DATE	ECN	DESCRIPTION	APVD
C	10/12/21	13853E	UPDATED PROD LBL WITH CE MARK	SMJ
D	4/4/23	17049E	BOM DIMMING FET REPLACEMENT	JC



- NOTES:
- OPERATING VOLTAGE: +9VDC TO +36VDC (+12VDC OR 24VDC NOMINAL).
 - REFERENCE CAN COMMUNICATION SPECIFICATION: 13167S-
 - HANDLING PRECAUTION: DO NOT FLEX OR TWIST ASSEMBLY.



PRODUCT LABEL
REV=BOM REVISION
LABEL DATE CODE:
YY=YEAR OF MANUFACTURE
WW=WEEK OF MANUFACTURE

THE INFORMATION CONTAINED ON THIS
DRAWING IS PROPRIETARY AND CONFIDENTIAL
TO MARLIN TECHNOLOGIES INC. UNAUTHORIZED
USE OR DISTRIBUTION WITHOUT CONSENT IS
PROHIBITED.

UNLESS OTHERWISE SPECIFIED, DIMENSIONS
ARE IN INCHES AND TOLERANCES ARE

TWO PLACE DECIMAL +/- 0.05	THREE PLACE DECIMAL +/- 0.020	ANGLES +/-
----------------------------------	-------------------------------------	---------------

DO NOT SCALE DRAWING

CHECKED	J. Cooper	DATE	2/13/23
APPROVED	J. Cooper	DATE	2/13/23

MARLIN TECHNOLOGIES INC.

TITLE
OUTLINE, 505201
CONFIGURABLE 6 POS KYPD

SIZE	DRAWING NUMBER	TYPE	REV
B	013155	O	D
DRAWN	DATE	SHEET	1 OF 1
J. VRTIS	2/16/23		