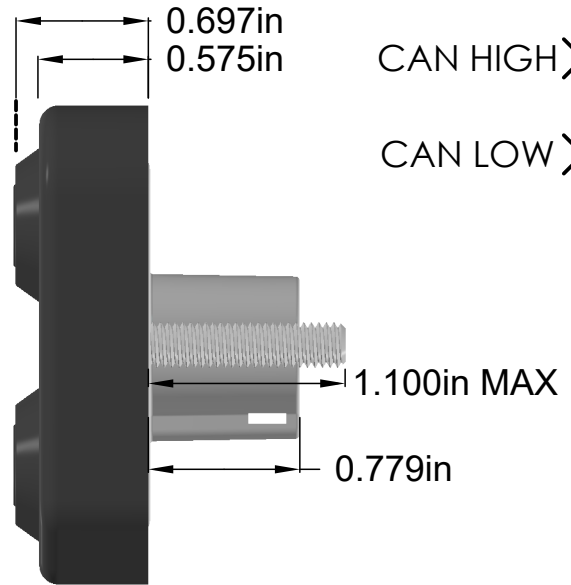
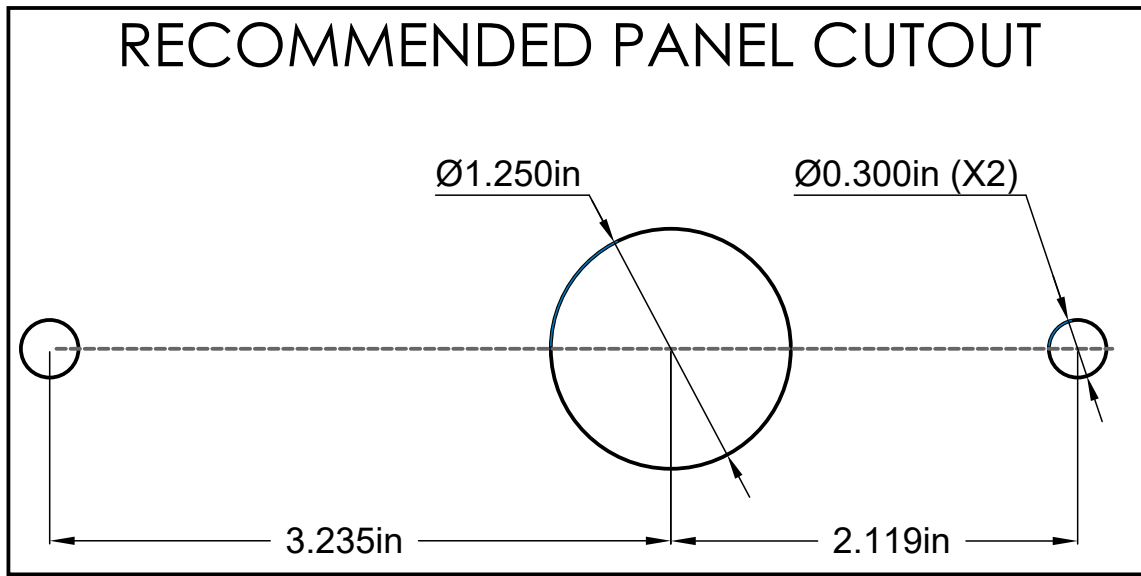
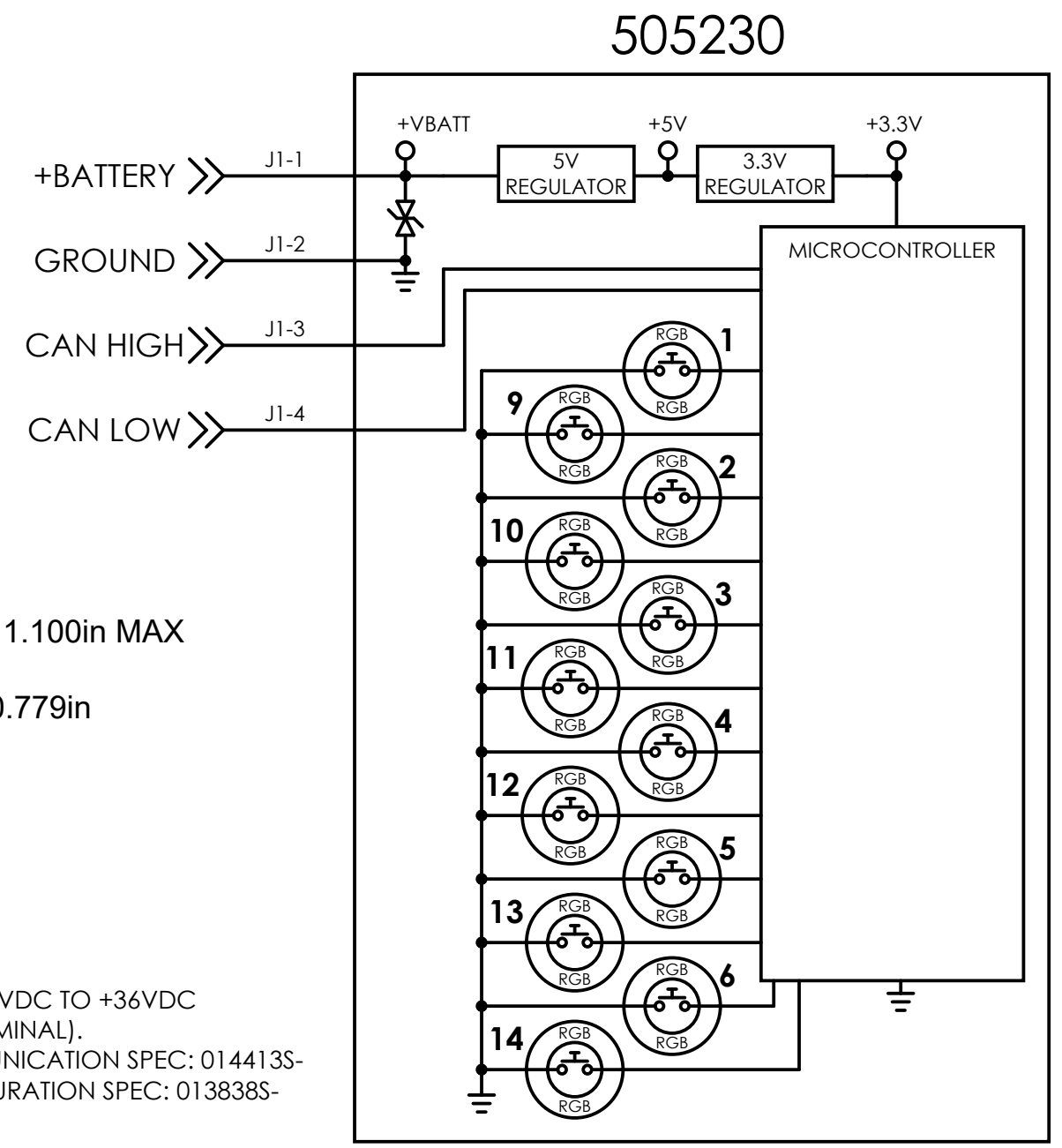


MAJEK
MTI 505230
REV A
DATE YYWW
SW 13837\$-
13838S-



- NOTES:
1. OPERATING VOLTAGE: +9VDC TO +36VDC (+12VDC OR +24VDC NOMINAL).
 2. REFERENCE CAN COMMUNICATION SPEC: 014413S-
 3. REFERENCE XML CONFIGURATION SPEC: 013838S-

REVISIONS				
REV	DATE	ECN	DESCRIPTION	APVD
A	10/04/21	13829E	RELEASE TO PRODUCTION	JC



UNLESS OTHERWISE SPECIFIED, DIMENSIONS ARE IN INCHES AND TOLERANCES ARE

TWO PLACE DECIMAL	THREE PLACE DECIMAL	ANGLES
+/- 0.05	+/- 0.015	N/A

CHECKED BY: J. COOPER DATE: 10/26/23

APPROVED BY: J. COOPER DATE: 10/26/23

MARLIN TECHNOLOGIES

TITLE: **OUTLINE, 505230 MAJEK 12PB KEYPAD**

SIZE: B	DRAWING NUMBER: 013831	TYPE: ○	REVISION: A
DRAWN BY: E. FIERST		DATE: 10/20/23	
SHEET 1 OF 1		DATE: 10/20/23	