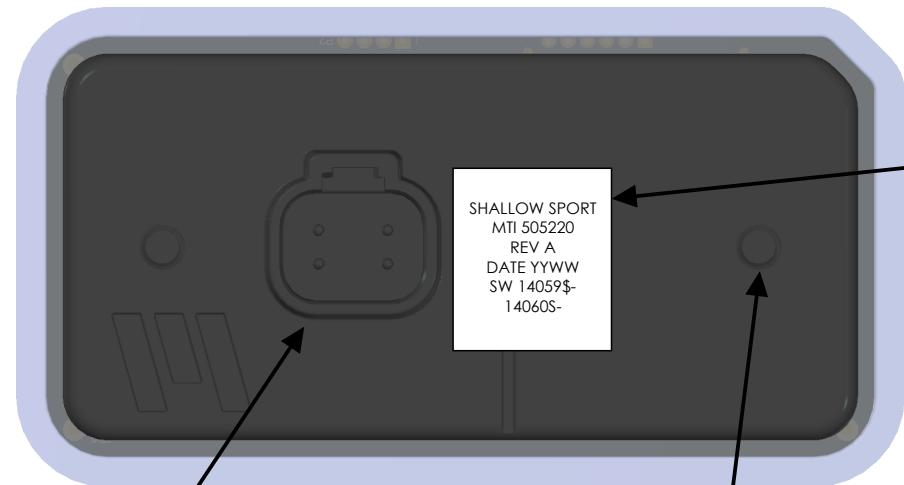
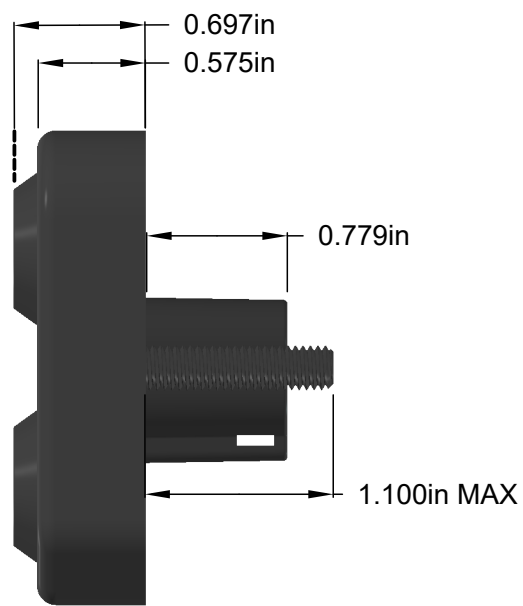
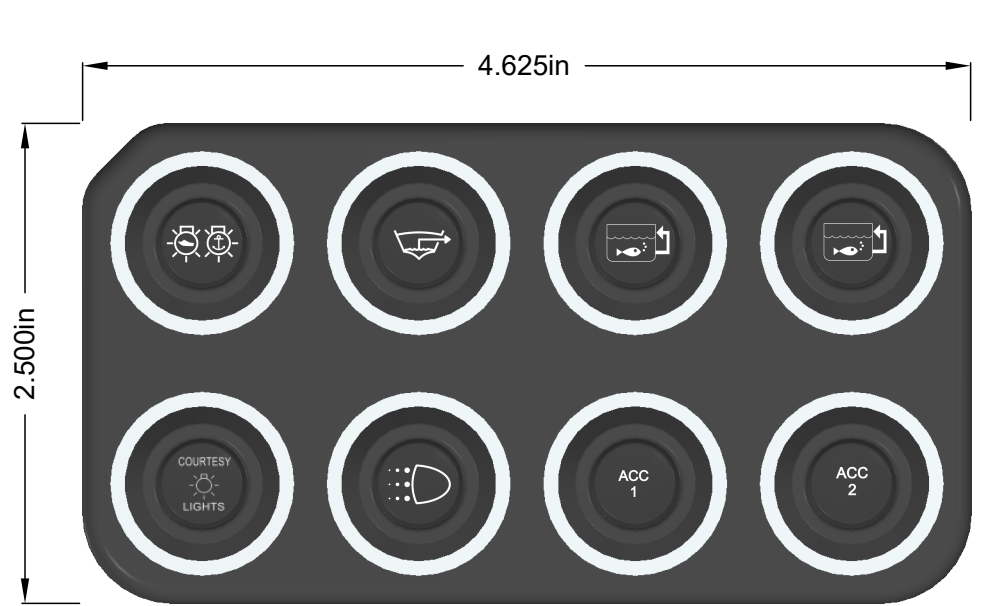


REVISIONS				
REV	DATE	ECN	DESCRIPTION	APVD
A	03/29/22	14051E	RELEASE TO PRODUCTION	

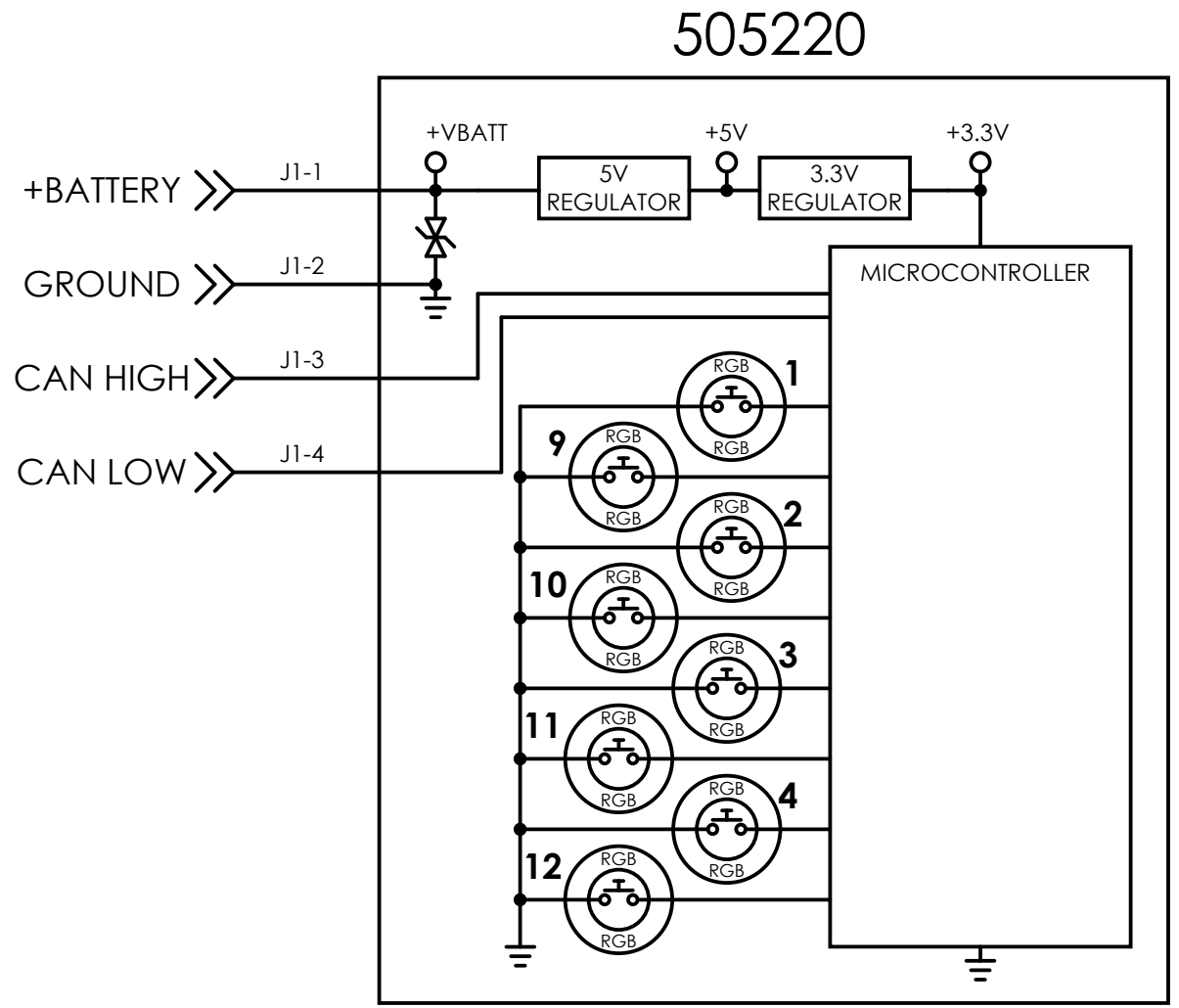


SHALLOW SPORT
MTI 505220
REV A
DATE YYWW
SW 14059\$-
14060S-

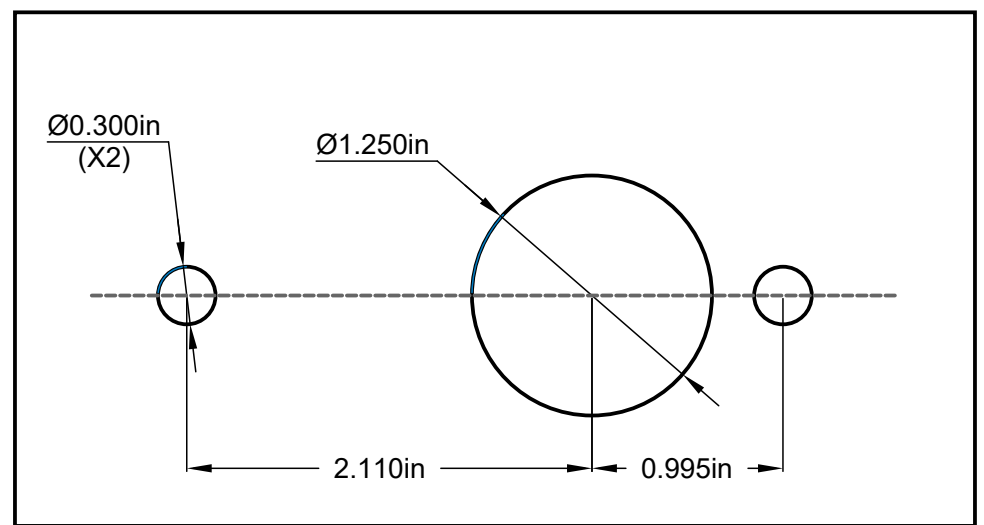
SHALLOW SPORT
MTI 505220
REV A
DATE YYWW
SW 14059\$-
14060S-

J1
MATES WITH
DEUTSCH DT06-4S
*OR EQUIVALENT

M6 x 0.450 STUD (2PLCS)
MAX. TORQUE = 35 IN LBS.



RECOMMENDED PANEL CUTOUT



- NOTES:
1. OPERATING VOLTAGE: +9VDC TO +36VDC (+12VDC OR +24VDC NOMINAL).
 2. REFERENCE CAN COMMUNICATION SPEC: 014413S-
 3. REFERENCE XML CONFIGURATION SPEC: 014060S-
 4. HANDLING PRECAUTION: DO NOT FLEX OR TWIST ASSEMBLY

MARLIN
TECHNOLOGIES

TITLE: **OUTLINE, 505220
8PB LEGEND KEYPAD**

SIZE: B	DRAWING NUMBER: 014053	TYPE: ○	REVISION: X1
-------------------	----------------------------------	-------------------	------------------------

CHECKED BY: J. COOPER	DATE: 12/15/2023	DRAWN BY: E. FIERST	DATE: 10/26/23	SHEET 1 OF 1
APPROVED BY: J. COOPER	DATE: 12/15/2023			