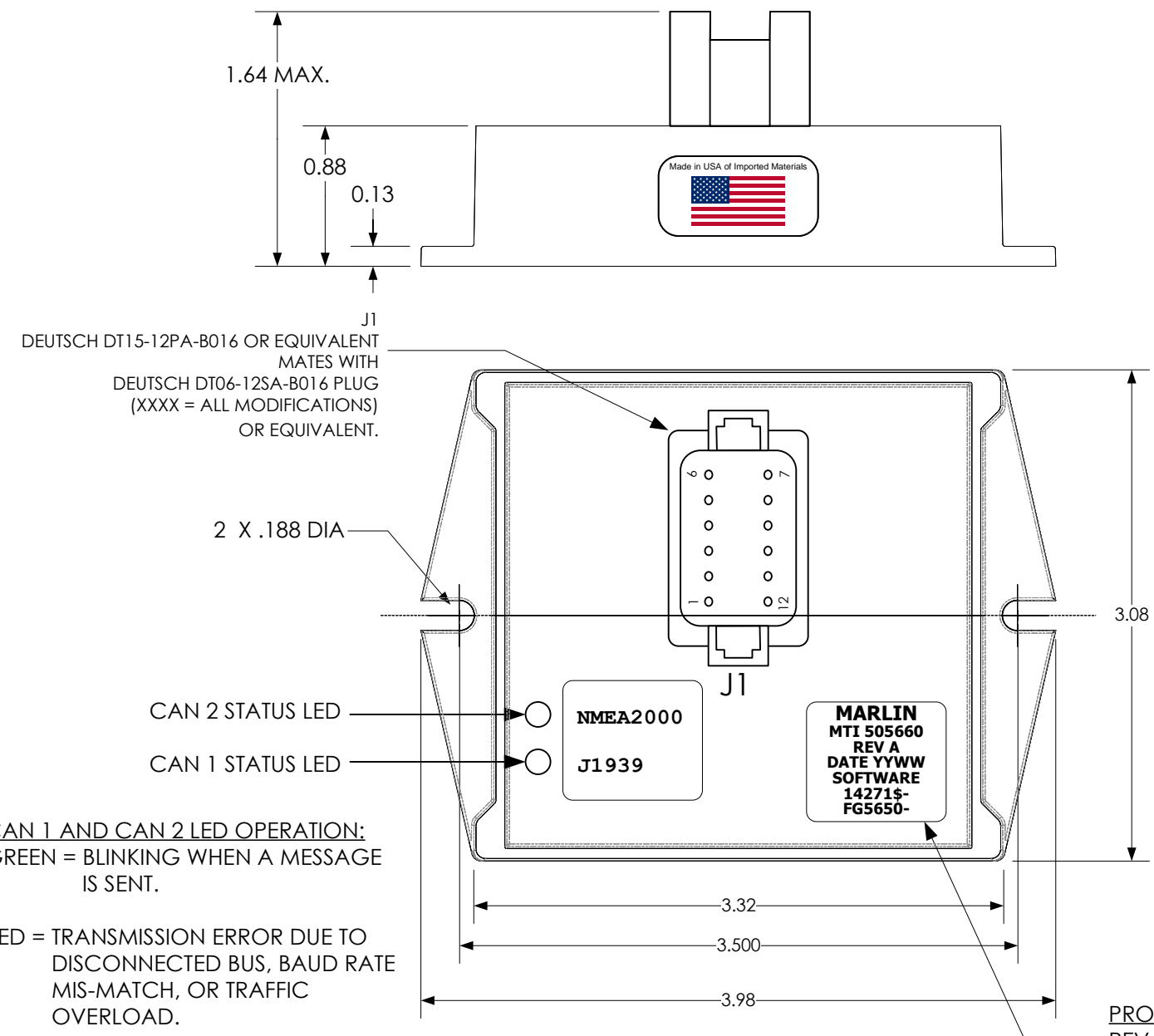


REVISIONS				
REV	DATE	ECN	DESCRIPTION	APVD
A	3/30/23	17100E	RELEASE TO PRODUCTION	JC

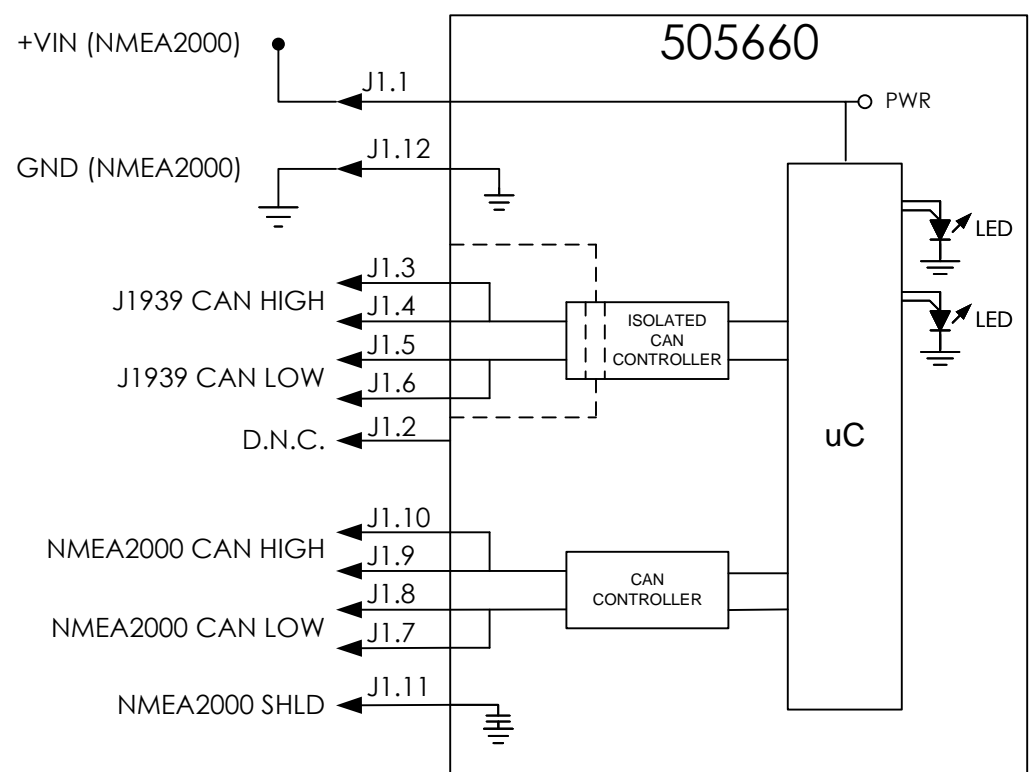


CAN 1 AND CAN 2 LED OPERATION:
GREEN = BLINKING WHEN A MESSAGE IS SENT.

RED = TRANSMISSION ERROR DUE TO DISCONNECTED BUS, BAUD RATE MIS-MATCH, OR TRAFFIC OVERLOAD.

AMBER = BEACON MODE.

PRODUCT LABEL
REV=BOM REVISION
LABEL DATE CODE:
YY=YEAR OF MANUFACTURE
WW=WEEK OF MANUFACTURE



OPERATING VOLTAGE: +9VDC TO +36VDC (+12VDC OR 24VDC NOMINAL).
REFERENCE CONFIGURATION SPECIFICATION: 17082S_
CANBUS PROTOCOL: SAE J1939/ISO 11783, 250KBS/500KBS/1MBS,
NMEA2000 250KBS
505660 J1939 SOURCE ADDRESS: 0xBB (DEFAULT)
TERMINATION: NONE

THE INFORMATION CONTAINED ON THIS DRAWING IS PROPRIETARY AND CONFIDENTIAL TO MARLIN TECHNOLOGIES INC. UNAUTHORIZED USE OR DISTRIBUTION WITHOUT CONSENT IS PROHIBITED.

UNLESS OTHERWISE SPECIFIED, DIMENSIONS ARE IN INCHES AND TOLERANCES ARE		
TWO PLACE DECIMAL +/- .05	THREE PLACE DECIMAL +/- .020	ANGLES +/-
DO NOT SCALE DRAWING		
CHECKED J. COOPER	DATE 06/05/23	
APPROVED J. COOPER	DATE 06/05/23	

MARLIN TECHNOLOGIES INC.			
TITLE		OUTLINE, 505660 MFD GATEWAY	
SIZE	DRAWING NUMBER	TYPE	REV
B	017101	O	A
DRAWN EF	DATE 03/30/23	SHEET 1 OF 1	