

MARLIN
505210
REV A
DATE YYWW
SW 17167\$-
17168S-

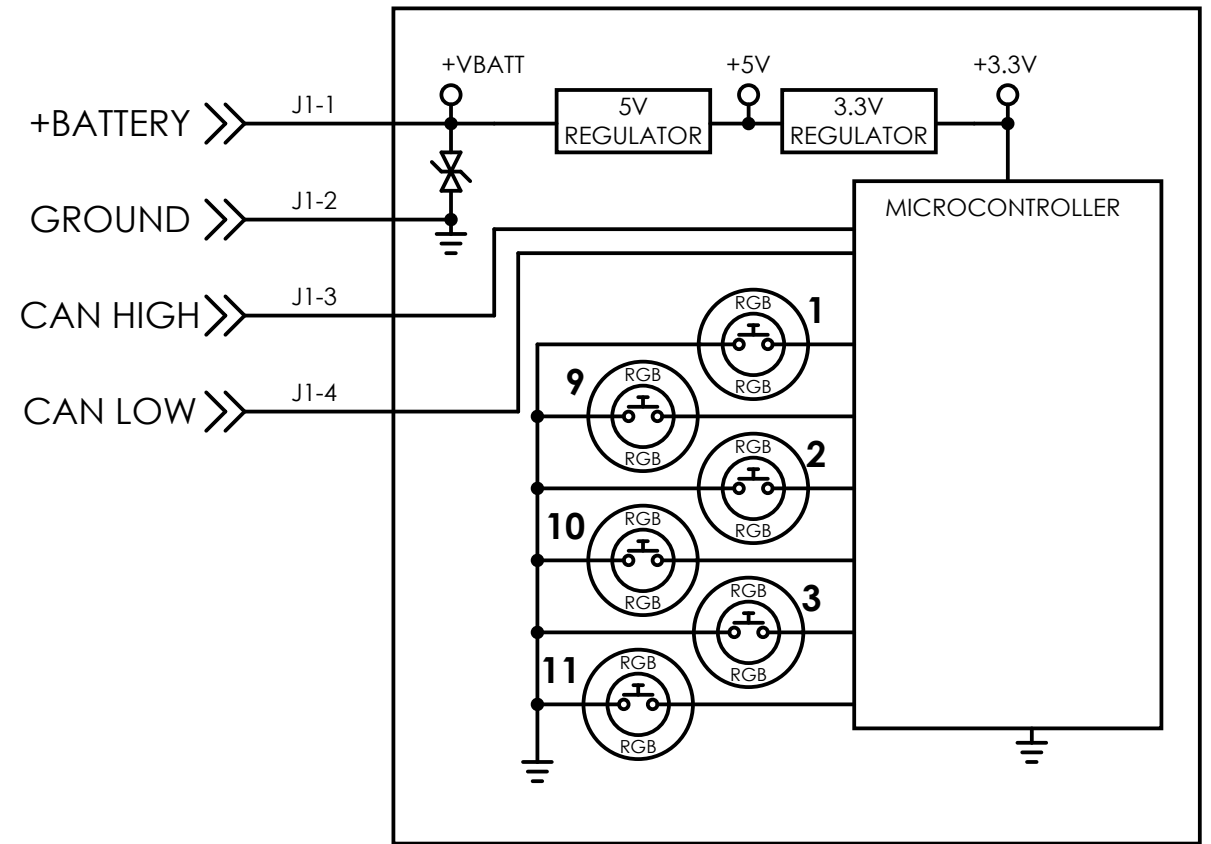
MARLIN
505210
REV A
DATE YYWW
SW 17167\$-
17168S-

J1
MATES WITH
DEUTSCH DT06-4S
*OR EQUIVALENT

M6 x 0.450 STUD (2PLCS)
MAX. TORQUE = 35 IN LBS.

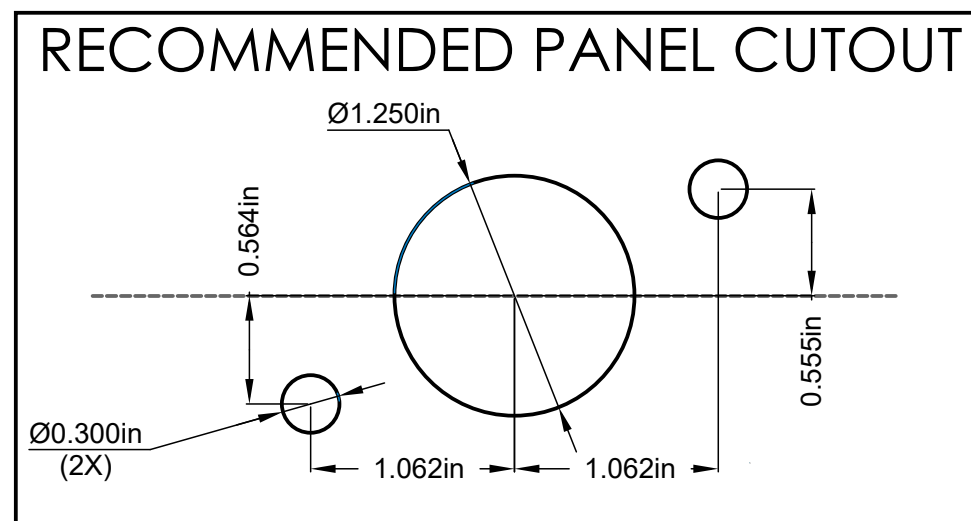
REVISIONS				
REV	DATE	ECN	DESCRIPTION	APVD
A	10/04/21	17159E	RELEASE TO PRODUCTION	

505210



NOTES:

1. OPERATING VOLTAGE: +9VDC TO +36VDC (+12VDC OR +24VDC NOMINAL).
2. REFERENCE CAN COMMUNICATION SPEC: 014413S-
3. REFERENCE XML CONFIGURATION SPEC: 017168S-
4. HANDLING PRECAUTION: DO NOT FLEX OR TWIST



TITLE: OUTLINE, 505210 6PB LEGEND KEYPAD			
SIZE: B	DRAWING NUMBER: 017161	TYPE: ○	REVISION: A
CHECKED BY: J. COOPER	DATE: 12/15/23	DRAWN BY: E. FIERST	DATE: 10/26/2023
APPROVED BY: J. COOPER	DATE: 12/15/23	SHEET 1 OF 1	