

M-FLEX ISOLATED CAN BRIDGE

M-Flex Isolated CAN Bridge is a two-channel CAN bus bridge for interconnecting two CAN bus networks with power isolation, and is built to withstand the harsh temperatures, shock and vibration, moisture and electrical transients that are common to these environments.



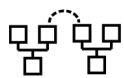

IP67
IP69

12V
24V

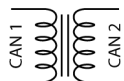
RoHS
compliant



FEATURES



Two CAN bus channels for bridging between two networks.



Galvanic isolation between the two CAN networks.



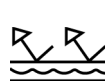
Designed for severe duty outdoor applications.



Forty filters per channel to pass or block messages.



250/500/1000 kbps CAN bus speeds.



Fully encapsulated electronics for complete environmental protection.



Deutsch DT style connectors.



User programmable software tool provided by Marlin.



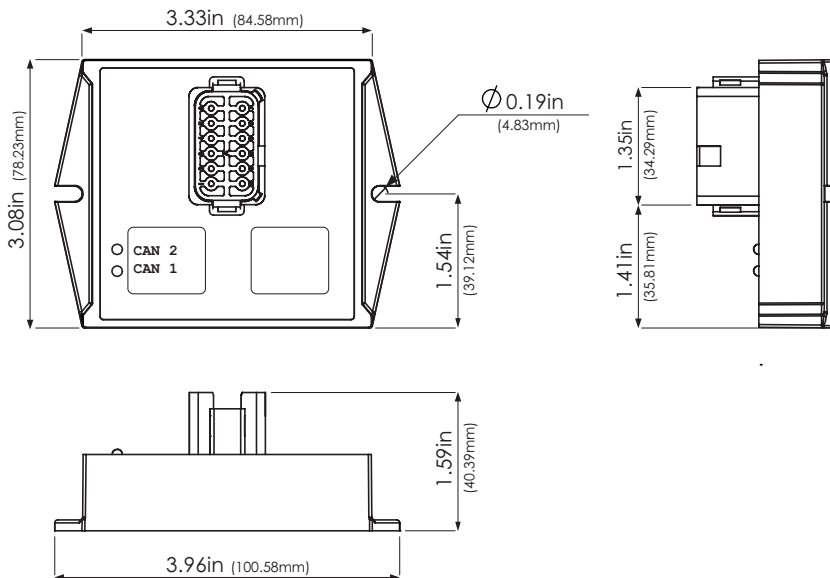
Two diagnostic LEDs for CAN bus power and communication status.

SPECIFICATIONS

Specifications subject to change without notice. \ Revised 07.23

Supply Voltage	8-36VDC operating range, reverse polarity protected.
Baud Rate	250/500/1000 kbps.
CAN Protocol	SAE J1939 CAN 2.0A and 2.0B compliant.
CAN Channels	2 Channel bridge for connecting 2 CAN bus networks.
Connectors	Deutsch DT15-12PA.
Mounting	(2) M6 or ¼" screws (6.35mm screws).
Ingress Protection	IP67 rated and IP69K with appropriate boot).
Operating Temperature	-40° to 85°C (-40° to 185°F).
Storage Temperature	-40° to 85°C (-40° to 185°F).
Weight	5.5 oz.
Packaging	Noryl enclosure with mounting tabs, fully encapsulated.

DIMENSIONS



For a detailed specification visit
marlintech.com/m-flex

Marlin Technologies, Inc.
 101 Industrial Drive \ P.O. Box 123
 Horicon, WI 53032-1803
 920.485.4463 \ P
 920.485.2899 \ F

MARLINTECH.COM
 PROUDLY MADE IN THE USA