

4

3

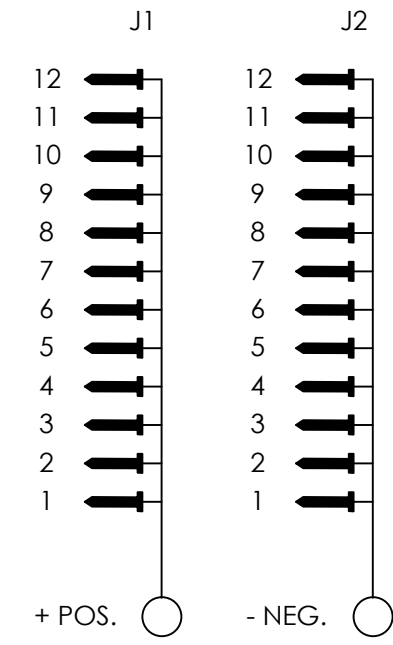
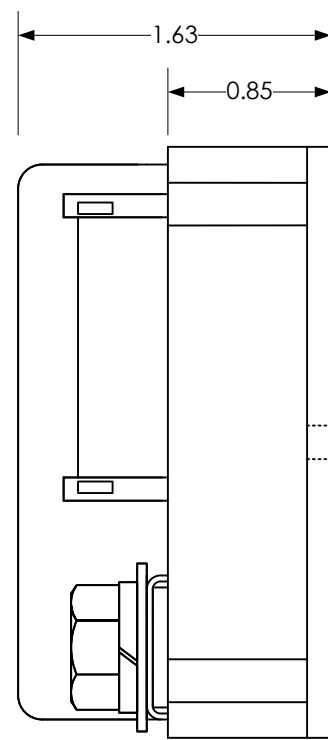
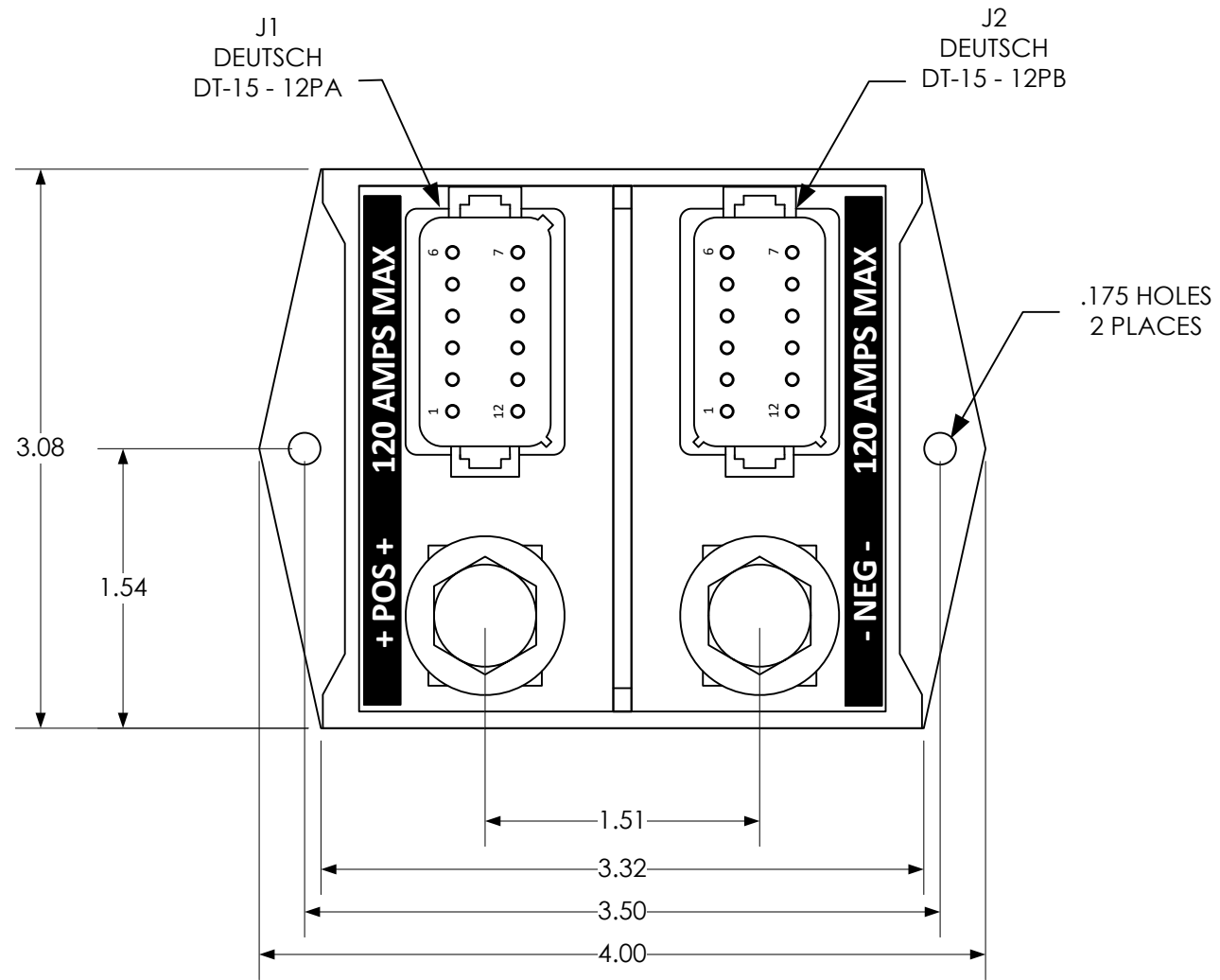
2

1

REVISIONS			
REV	DATE	ECN	DESCRIPTION
A	05-01-03	5264E	RELEASE TO PRODUCTION

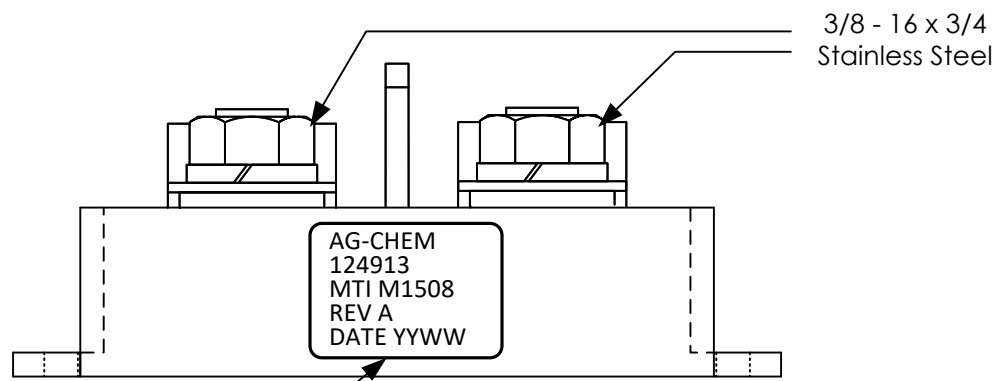
B

B



A

A



REV= BOM REVISION
 LABEL DATE CODE:
 YY=YEAR OF MANUFACTURE
 WW=WEEK OF MANUFACTURE

THE INFORMATION CONTAINED ON THIS
 DRAWING IS PROPRIETARY AND CONFIDENTIAL TO
 MARLIN TECHNOLOGIES INC. UNAUTHORIZED USE
 OR DISTRIBUTION WITHOUT CONSENT IS
 PROHIBITED.

UNLESS OTHERWISE SPECIFIED ALL DIMENSIONS ARE IN INCHES AND TOLERANCES ARE			MARLIN TECHNOLOGIES INC			
TWO PLACE DECIMAL +/- .05	THREE PLACE DECIMAL +/- .020	ANGLES +/-	TITLE OUTLINE, M1508 POWER BLOCK			
DO NOT SCALE DRAWING			SIZE B	DRAWING NUMBER 005266	TYPE O	REV A
CHECKED	DATE	DRAWN MEB		DATE 05/02/03	SHEET 1 OF 1	
APPROVED	DATE					

4

3

2

1