

M-FLEX 2X2 CAN SPLITTER

The 2x2 CAN Splitter is engineered to deliver robust and efficient data for OEM systems. Designed with four four-pin Deutsch connectors, this assembly simplifies CAN communication while simultaneously providing power and ground connections in a compact, reliable package.

 **M-Flex**
CONTROLLERS

IP67

12V
24VRoHS
Compliant

FEATURES



Four four-pin Deutsch DT style connectors.



Fast and reliable CAN messaging.



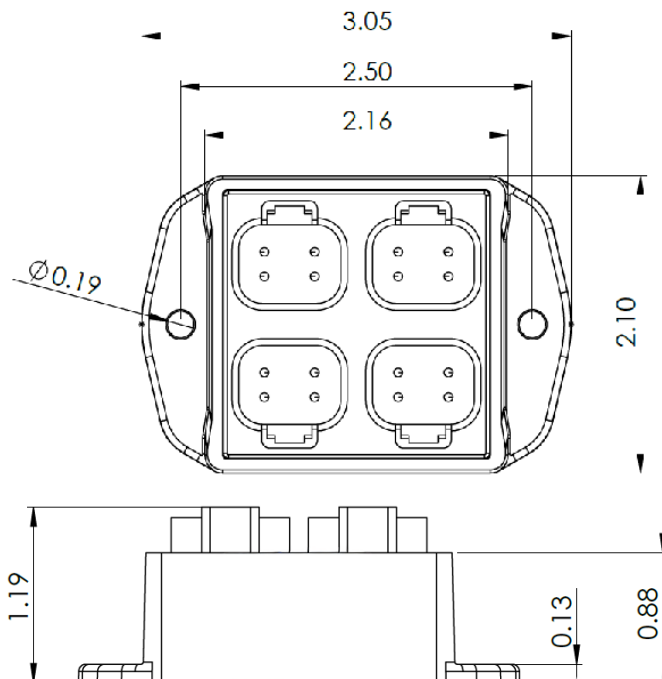
Delivers voltage and ground connection.

SPECIFICATIONS

Specifications subject to change without notice. \ Revised 11.25

| | |
|-----------------------|--|
| Supply Voltage | 12V |
| Max Current | 1A |
| Connectors | Deutsch DT15-12PA and DT15-12PB |
| Ingress Protection | IP67 |
| Operating Temperature | -40° to 125°C (-40° to 257°F) |
| Storage Temperature | -40° to 125°C (-40° to 257°F) |
| Weight | 2.4oz (68.03 g) |
| Dimensions | 7.29 in L x 3.01 in W x 0.82 in D (183 mm L x 77 mm B x 21 mm H) |

DIMENSIONS



For a detailed specification visit
marlintech.com

Marlin Technologies, Inc.
 101 Industrial Drive
 Horicon, WI 53032-1803
 920.485.4463 | P

MARLINTECH.COM
 MADE IN THE USA WITH
 IMPORTED MATERIALS